



SMOKE DETECTOR

RT-3000



The RT-3000 is designed to be an installer and servicer friendly product line. It significantly reduces the total cost of ownership versus other comparable products. It offers a host of "No-Tools Required" features, as well as a multi-application performance level unmatched in the industry. Duct smoke detectors are designed to prevent the recirculation of smoke in areas by air handling system's fans and blowers. The RT-3000 is designed and built to meet all local requirements, as well as the NFPA regulations, regarding duct smoke detectors. Output terminals are provided for remote accessories such as horns, strobes, remote status indicators, and test/reset key switches or pushbuttons. Air sampling is accomplished via two tubes that protrude into the duct. An exhaust tube with a standard length of 7" is supplied in the installation kit with the unit. Once the duct size

is determined, a sampling tube should be ordered. Three standard sizes including a 2.5', 5', and 10' lengths can be ordered and cut to the correct size of the duct. The weathertight NEMA 4X rated corrosion resistant enclosure coupled with extended temperature listings allow installation in the widest possible range of indoor/outdoor environments. The RT-3000 can be installed in both horizontal or vertical configurations to match installation preferences.

The ACI remote accessories are designed to be used with the ACI Duct Smoke detectors to provide audible and visual indication as well as remote test/reset functions. These devices mount to a standard single or double gang electrical backbox. Remote accessories are usually required by the AHJ (Inspector) for installation. If a duct smoke detector is not wired to a fire system or a remote test station, when the unit goes into alarm, the end user would have to climb up to the duct to manually reset the unit. ACI offers two series of remote accessories, The MS Series and the MSR-50R Series.

Applications: Smoke Detection in HVAC Ducts in Commercial, Industrial & Residential Applications

The RT-3000 Series is covered by ACI's Two (2) Year Limited Warranty. The warranty can be found in the front of ACI's Sensors & Transmitters catalog, as well as on ACI's web site, workaci.com.

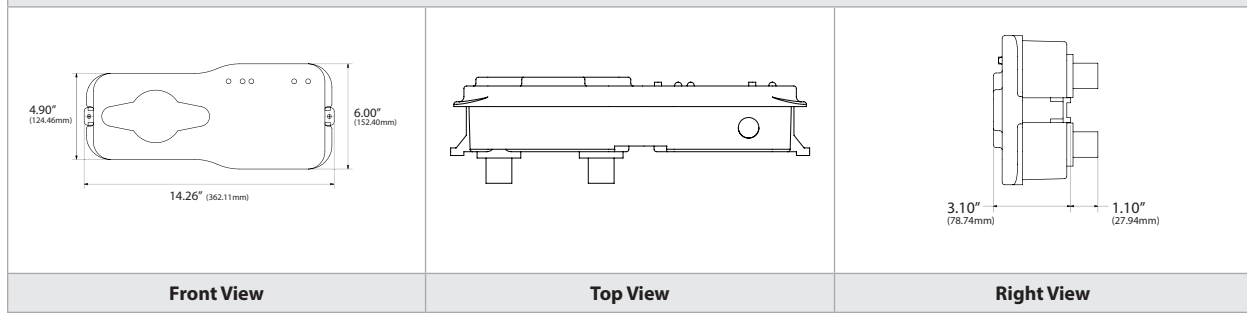
PRODUCT SPECIFICATIONS

Supply Voltage:	24 VAC/VDC, 115 VAC, 230 VAC
Maximum Operating Current (Standby):	24 VDC: 45 mA 24 VAC: 122.6 mA 115 VAC: 31 mA 230 VAC: 17 mA
Maximum Operating Current (Alarm):	24 VDC: 100 mA 24 VAC: 251 mA 115 VAC: 50 mA 230 VAC: 29 mA
Alarm Relay Contacts:	Resistive Load: 2 sets form "C" rated at 10 Amps @ 125 VAC Resistive Load: 1 set form "A" rated at 1 Amps @ 30 VDC
Trouble Relay Contacts:	Resistive Load: 1 set form "C" rated at 10 Amps @ 125 VAC Resistive Load: 1 set form "B" rated at 7 Amps
Detection Head Type:	Photoelectric
Air Velocity:	100 to 4,000 ft / minute
Wiring Connections:	Screw Terminal Blocks
Conductor Size:	Solid or Stranded: #14 to #24 AWG
Operating Temperature (RT-3000-N):	-4°F to 158°F (-20°C to 70°C)
Operating Temperature (RT-3000-P):	-4°F to 140°F (-20°C to 60°C)
Operating Humidity Range:	10% to 93% RH (@32°C) Non-Condensing / Non-Freezing
Enclosure Material:	Grey plastic backbox, white plastic cover (Makrolon 94V-0)
NEMA Rating:	NEMA 4X
Hardware Included:	7" exhaust tube, FAST Tube sectional sampling tube starter, sampling tube end cap, mounting template, test magnet, and mounting hardware included
Enclosure Product Dimensions:	(L) 13.5" (342.9 mm) x (W) 5.5" (134.8 mm) x (H) 2.25" (57.15 mm)
Product Weight:	3.5 lbs (1.59 kg)
Agency Approvals:	UL Listed (UL268A, UROX) File # S2829, CSFM Listed (3240-1004:121)





DIMENSIONAL DRAWING



STANDARD ORDERING

Model #	Item #	Description
RT-3000-P	128328	Smoke Detector, Multi-Application, NEMA 4X Enclosure, Photoelectric

SAMPLING TUBE ORDERING

Model #	Item #	Description
FAST TUBE	131201	Package of (3) 24" Sections Sectional sampling tube, quickly assembled to length & UL
STN-1.0	111653	Sampling Tube for 12" or less duct width
STN-2.5	105793	Sampling Tube for 6" to 2.5' duct width
STN-5.0	105794	Sampling Tube for 2.5' to 5.0' duct width
STN-10.0	105795	Sampling Tube for 5.0' to 10.0' duct width

Note: Sampling Tubes are required and should cover 80% of duct width.

ACCESSORIES ORDERING

Model #	Item #	Description
55000-328APO	131873	Replacement Photoelectric Detector Head
TG-2000	128407	Aerosol Test Gas

ACCESSORIES ORDERING

Model #	Item #	Description
MSR-50RK/R	146751	Remote with Key Test/Reset, Red Single Gang Plate
MSR-50RKA/R	146752	Remote with Key, Sounder, Red Double Gang Plate
MSR-50RKA/W	146753	Remote with Key, Sounder, White Double Gang Plate
MSR-50RKAV/W/C	146754	Remote with Key, Strobe, Sounder, White Double Gang Plate
MS-RH/KA/P/R	109256	Remote with Horn, Key, LEDs for Alarm and Pilot, Double Gang Plate
MS-KA/R	111733	Remote with Key, LED for Alarm, Single Gang Plate
MS-RH/P/A	128336	Remote with Horn, LEDs for Alarm & Pilot, Single Gang Plate