



LIGHT LEVELS

Sensors & Transmitters

The A/LLS and A/LLS-T light level sensors and transmitters are used for applications such as turning on or off indoor or outdoor lighting based upon the amount of available light. The sensor can be mounted in a NEMA 3R rated enclosure. In darkness, the sensor has a resistance in excess of 1M ohms, versus a resistance of less than 1.5K ohms in bright light. The A/LLS-T incorporates a transmitter with the sensor to produce a non-linear 4-20 mA output signal. The A/LLS-T is calibrated for 4 mA in darkness and 20 mA in bright Light. Typically the 0-500 is used for outdoor parking lot lighting/signage applications and the 0-100 is used for indoor lighting.

Applications: Indoor/Outdoor Lighting Control Systems & Building Automation Systems

The A/LLS & A/LLS-T are covered by ACI's Five (5) Year Limited Warranty. The warranty can be found in the front of ACI's Sensors & Transmitters catalog, as well as on ACI's website, www.workaci.com

PRODUCT SPECIFICATIONS

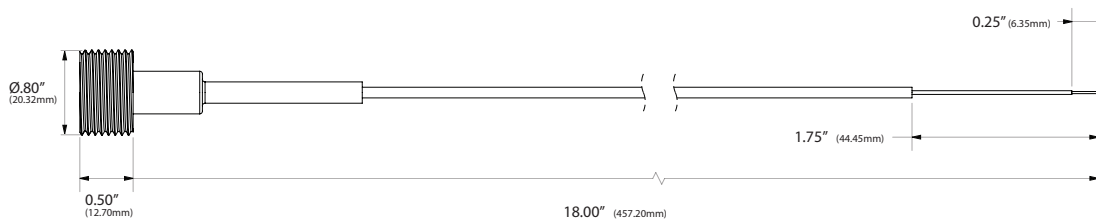
Sensor Process Thread:	1/2" NPT
Sensor Housing Material:	Acrylic / Polycarbonate
Sensor Operating Temperature Range:	-40 to 70°C (-40 to 158°F)
Sensor Operating Humidity Range:	0-95% Relative Humidity, non-condensing
Sensor Lead Length Cable Diameter Conductor Size:	18" (45.7cm) 0.16" nominal (2.69 mm) 22 AWG (0.65mm)
Sensor Lead Wire Insulation Wire Rating:	Polyvinylchloride Unshielded Cable UL 2464 80C 300V; CSA AWM II A/B FT4
Sensor Conductor Material:	Tin Plated Copper
Sensor Continuous Power Dissipation:	80 mW
Sensor Maximum Voltage:	100V pk
Sensor Response Time @ 1 Foot-Candles:	Rise (1-1/e): 78mS Fall (1/e): 8mS
Sensor Response Time @ Dark:	5 Seconds
Sensor Resistance @ 10 Lux (@25°C):	Typical: 24K Ohms Minimum: 12K Ohms Maximum: 36K Ohms
Sensor Resistance @ 2 Foot-Candles (@25°C):	Typical: 12K
Sensor Resistance @ Dark:	Minimum: 500K
Transmitter Supply Voltage:	24 to 35 VDC
Transmitter Input Impedance:	150K Ohms
Transmitter Output Current Signal Range:	4-20 mA (3 Wire)
Transmitter Maximum Load Resistance:	500 Ohms
Transmitter Light Level Measurement Range:	Model Dependent: 100 foot-candles (0-100) / 500 foot-candles (0-500)
Transmitter Operating Temperature Range:	35 to 131°F (1.5 to 55°C)
Transmitter Storage Temperature Range:	-0 to 160°F (-40 to 71°C)
Transmitter Operating Relative Humidity Range:	5 to 95% non-condensing
Transmitter Enclosure Specifications (Material,	Aluminum, IP32 (NEMA 3R)
Flammability, NEMA/IP Ratings):	
Transmitter Snaptrack Material:	Polyvinyl Chloride (PVC)
Transmitter Snaptrack Flammability Rating:	UL94 V-0
Transmitter Connections Wire Size:	Screw Terminal Blocks 16 (1.31 mm ²) to 26 AWG (0.129 mm ²)
Transmitter Terminal Block Torque Rating:	0.5 Nm (Minimum); 0.6 Nm (Maximum)
Transmitter Product Dimensions:	(L) 4.58" (116.3 mm) x (W) 2.82" (71.63 mm) x (H) 2.25" (57.15 mm)
Transmitter Product Weight:	"LLS": 0.054 lbs (0.025 kg) "LLS-T": 0.85 lbs (0.386 kg)
Transmitter Agency Approvals:	RoHS2, WEEE





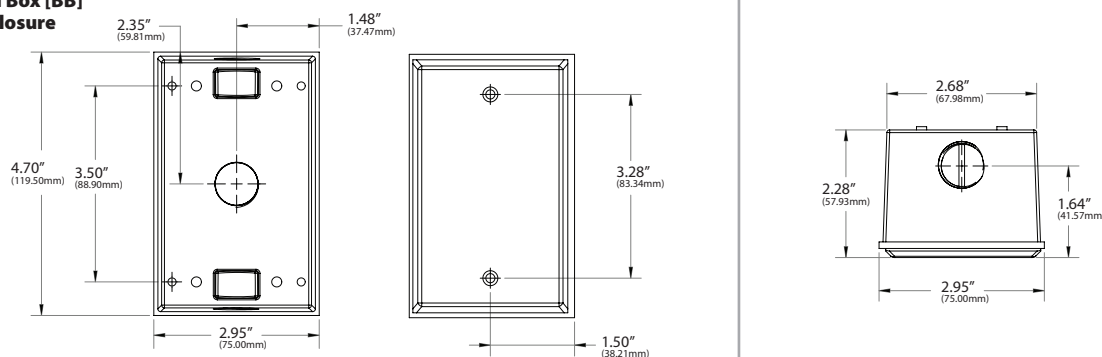
DIMENSIONAL DRAWING

Light Level



Standard View

Bell Box [BB] Enclosure



Front & Back Views

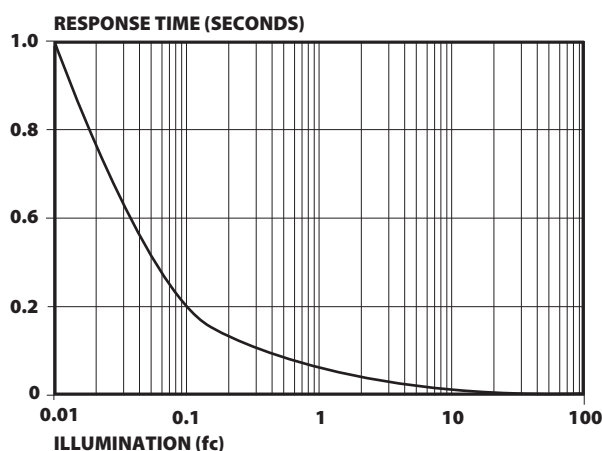
Top View

STANDARD ORDERING

Model # Example: **A/LLS** -OR- **122465**

Model #	Item #	Description
A/LLS	122465	Light Level Sensor
A/LLS-BB	122466	Light Level Sensor, with Bell Box
A/LLS-T(0-100)	122467	LLS-Transmitter, 0-100 foot-candles (fc), with Bell Box
A/LLS-T(0-500)	122468	LLS-Transmitter, 0-500 foot-candles (fc), with Bell Box

RESPONSE TIME VS. ILLUMINATION (RISE)



RESPONSE TIME VS. ILLUMINATION (DECAY)

