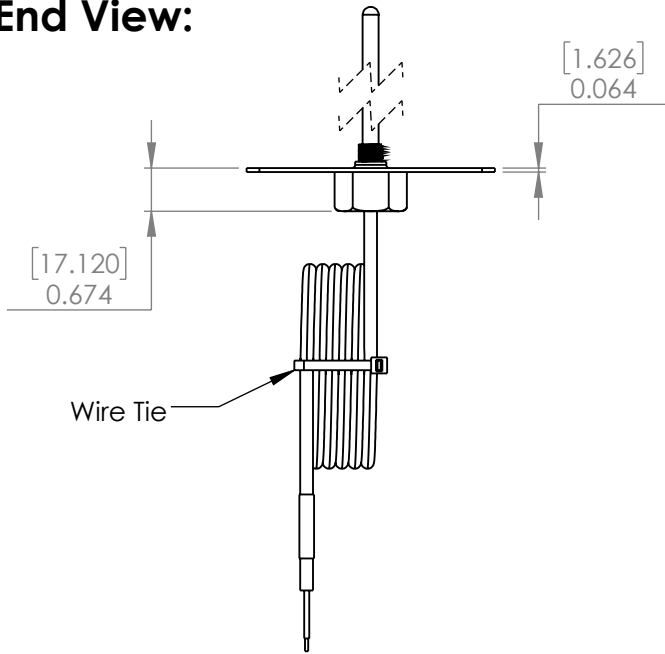


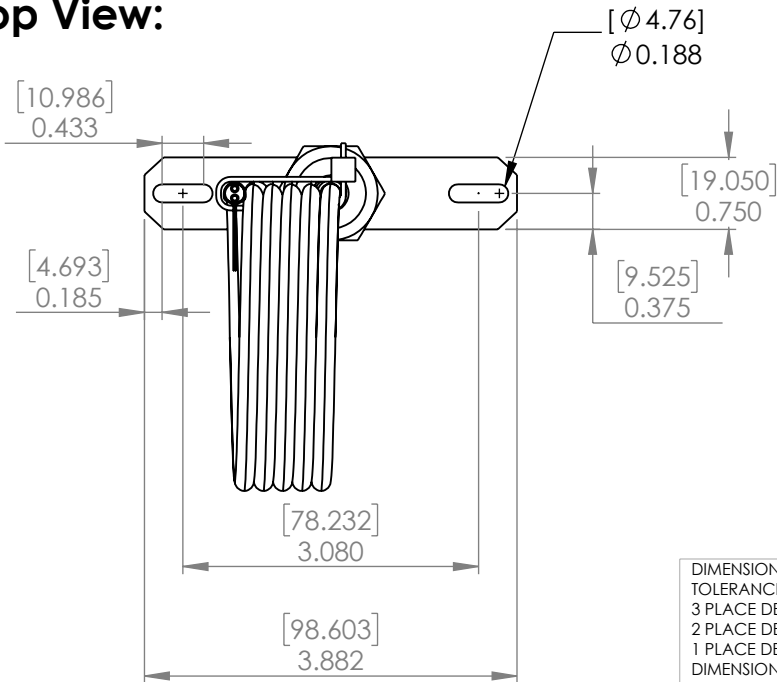
**End View:**



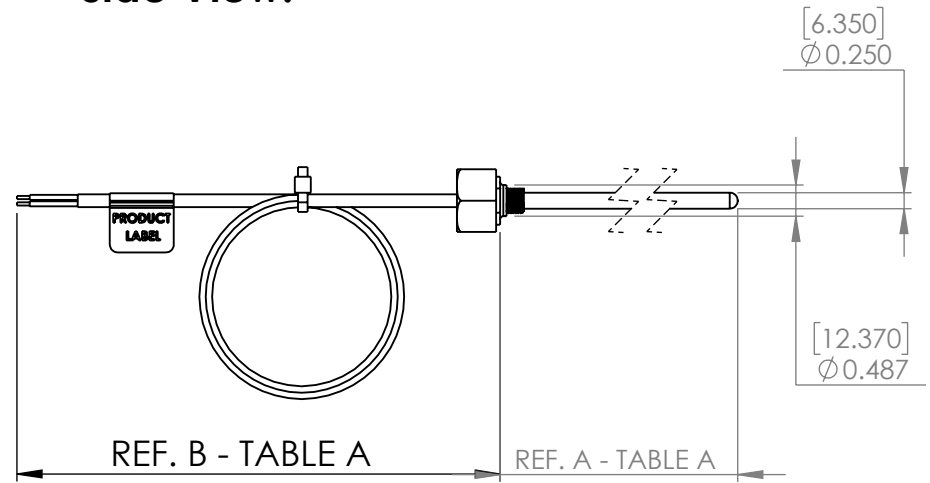
**Table A**

Probe Length	REF A (Insertion Lengths)	REF B (Standard Cable Lengths)
4"	3.88" ± 0.13"	6', 10', 20'
6"	5.88" ± 0.13"	6', 10', 20'
8"	7.88" ± 0.13"	6', 10', 20'
12"	11.88" ± 0.25"	6', 10', 20'
18"	17.88" ± 0.25"	6', 10', 20'
24"	23.88" ± 0.25"	6', 10', 20'

**Top View:**



**Side View:**



DIMENSIONS ARE IN INCHES  
TOLERANCES: (UNLESS NOTED)  
3 PLACE DECIMAL = ±0.005  
2 PLACE DECIMAL = ±0.015  
1 PLACE DECIMAL = ±0.050  
DIMENSIONS IN INCHES  
DRAWING NOT TO SCALE

**PROPRIETARY AND CONFIDENTIAL**  
THE INFORMATION CONTAINED IN THIS  
DRAWING IS THE SOLE PROPERTY OF  
AUTOMATION COMPONENTS INC. ANY  
REPRODUCTION IN PART OR AS A WHOLE  
WITHOUT THE WRITTEN PERMISSION OF  
AUTOMATION COMPONENTS INC. IS  
PROHIBITED.



**WORKWISE#:**  
SEE TABLE A

DEBURR AND BREAK  
SHARP EDGES

**DESCRIPTION:**  
DUCT TEMP. w/o BOX, CABLE

**DWG. NO.**  
M0000012

**REV**  
4

**MATERIAL:**

**DATE:**  
8/22/2023

**DRAWN BY:**  
DSC

**APPROVED BY:**  
N/A

**SCALE:** 1:1

DO NOT SCALE DRAWING

SHEET 1 OF 1