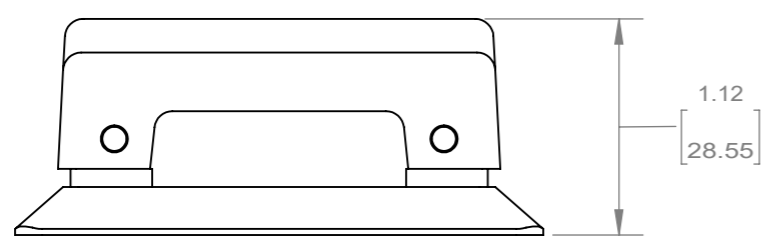
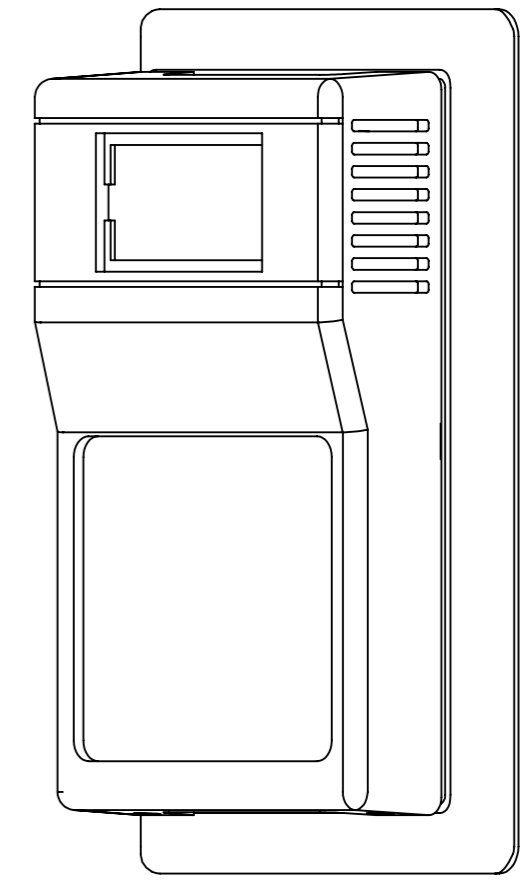
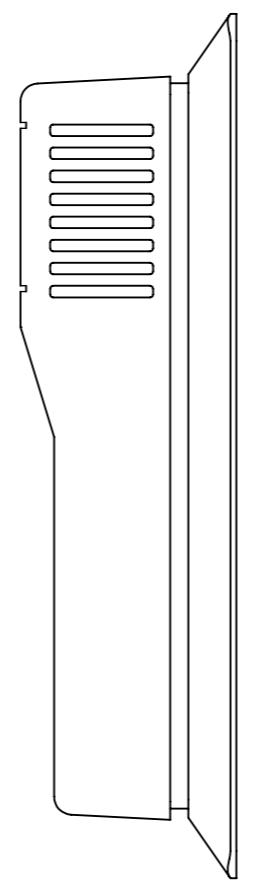
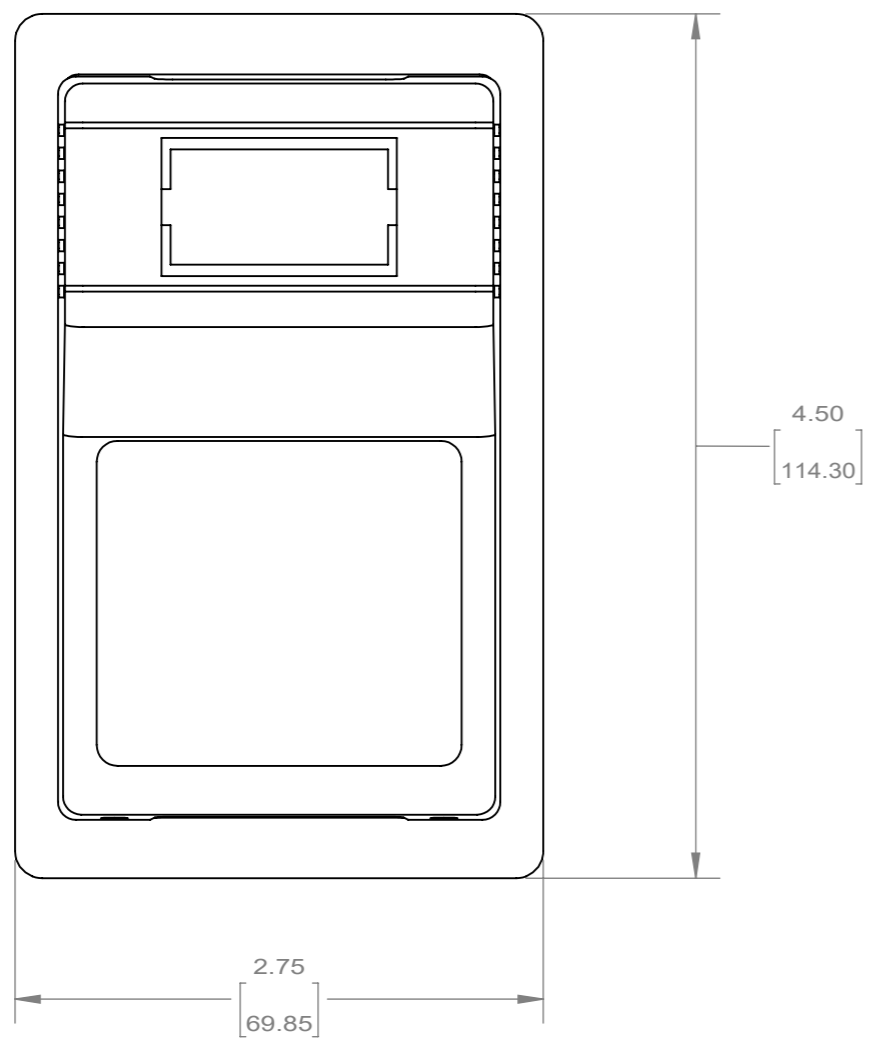


8 7 6 5 4 3 2 1

F
E
D
C
B
A

F
E
D
C
B
A



DO NOT SCALE DRAWING		NOT FOR MANUFACTURING USE.	
ACI PRODUCT DIMENSIONAL DRAWING: M0000252 ROOM LCD			
<small>DIMENSIONS ARE FOR REFERENCE ONLY. ALL DIMENSIONS ARE IN INCHES [MILLIMETERS] UNLESS OTHERWISE STATED.</small>	<small>DRAWN BY:</small> PCA	<small>DATE:</small> 01/18/2017	<small>A3</small>
	<small>SCALE:1:1</small>		

8 7 6 5 4 3 2 1