

8 7 6 5 4 3 2 1

F

F

E

E

D

D

C

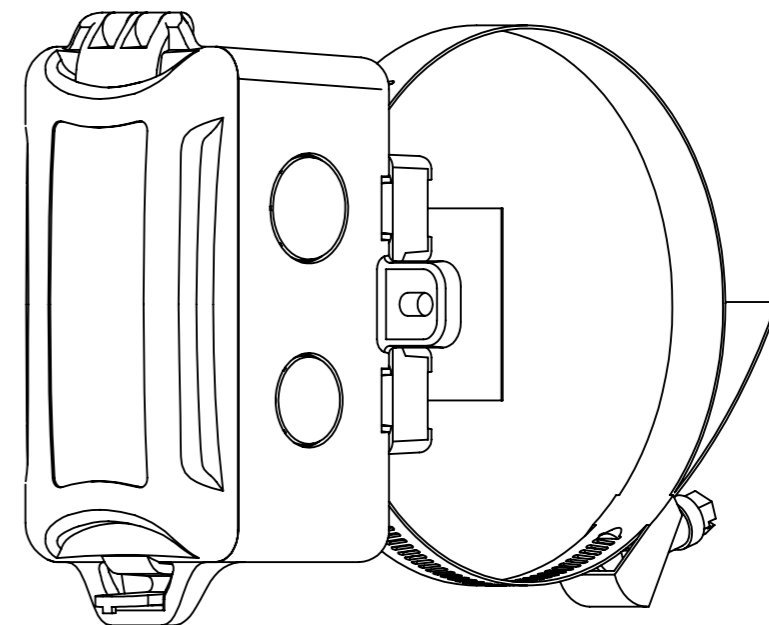
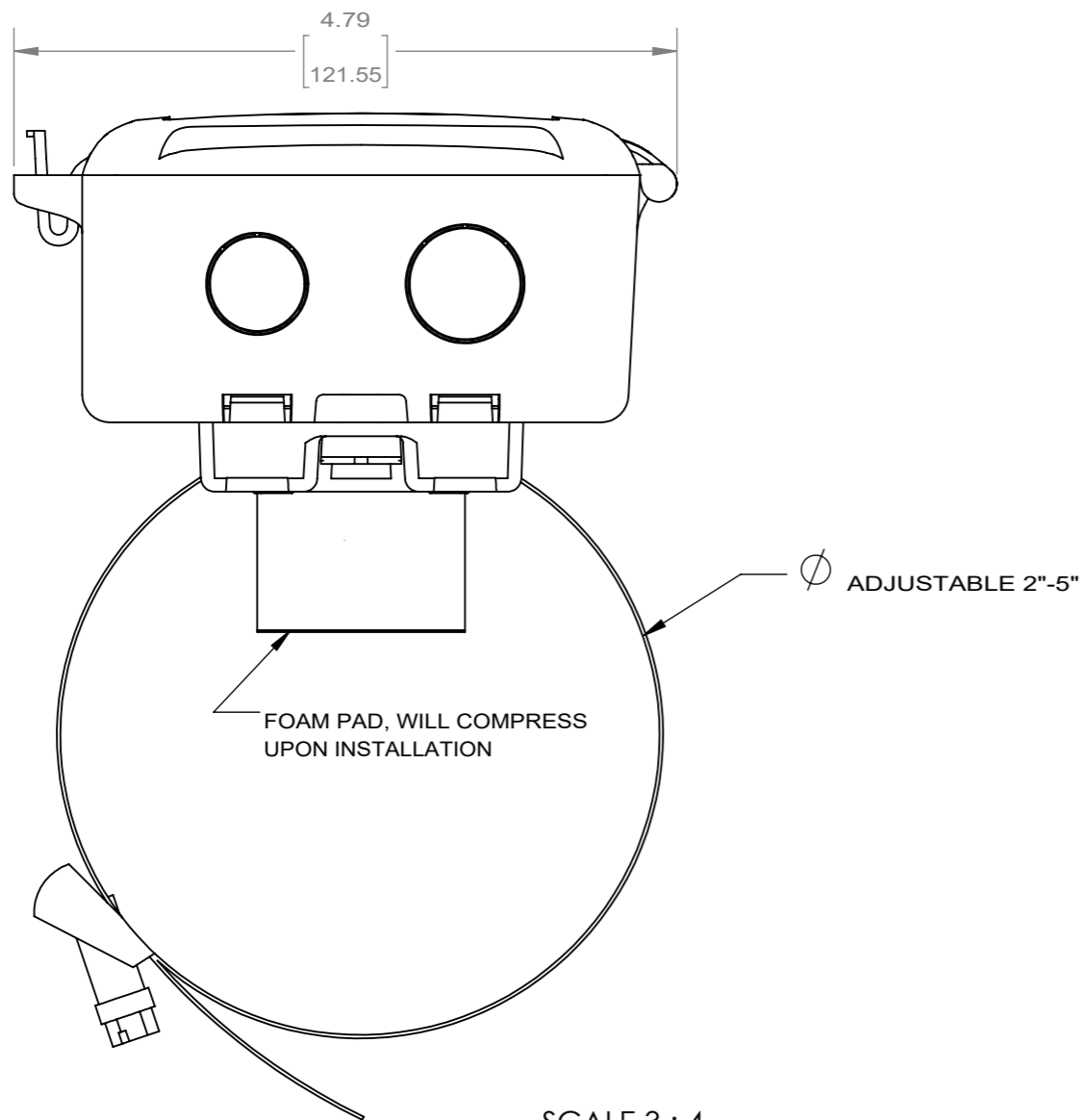
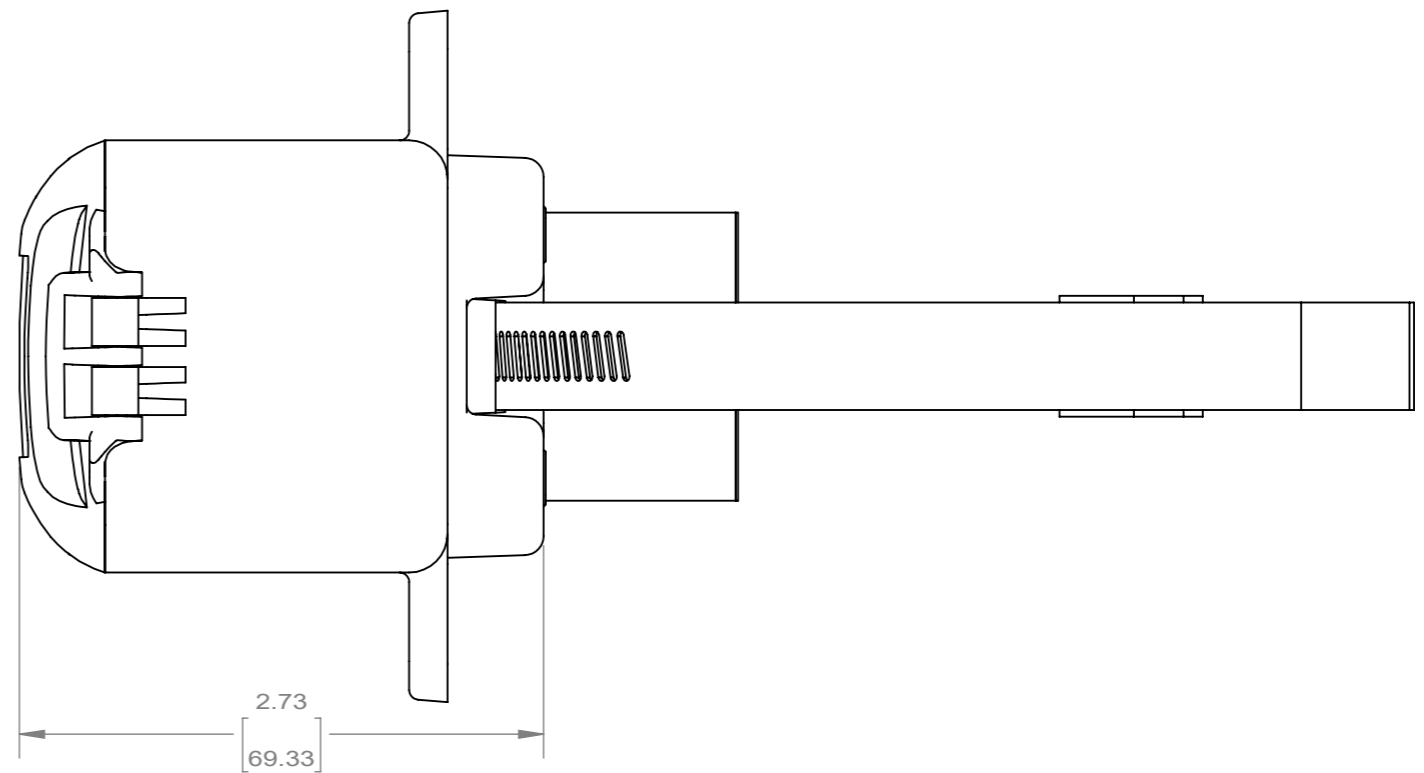
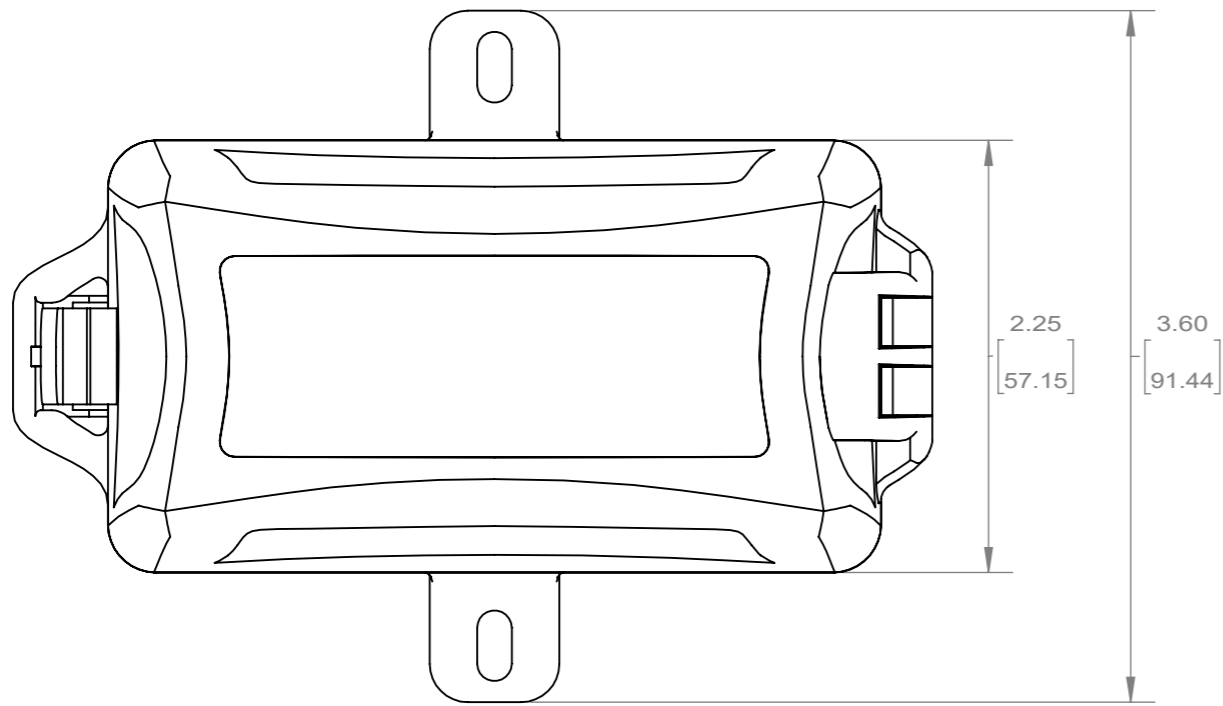
C

B

B

A

A



SCALE 3 : 4



DO NOT SCALE DRAWING		NOT FOR MANUFACTURING USE.	
ACI PRODUCT DIMENSIONAL DRAWING: M0000307 PLASTIC BOX STRAP			
DIMENSIONS ARE FOR REFERENCE ONLY. ALL DIMENSIONS ARE IN INCHES [MILLIMETERS] UNLESS OTHERWISE STATED.	DRAWN BY:	PCA	A3
	DATE:	03/01/2017	
SCALE:1:1		SHEET 1 OF 1	

8 7 6 5 4 3 2 1