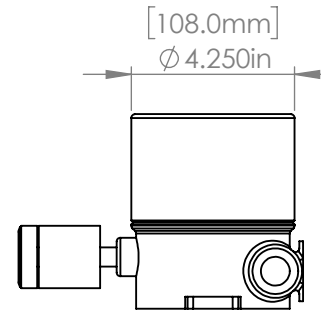


OPTIONAL SPLASH GUARD ADDS 3.1" OVERALL LENGTH



DIMENSIONS ARE IN INCHES  
TOLERANCES: (UNLESS NOTED)  
3 PLACE DECIMAL = ±0.005  
2 PLACE DECIMAL = ±0.015  
1 PLACE DECIMAL = ±0.050  
DIMENSIONS IN INCHES  
DRAWING NOT TO SCALE

**PROPRIETARY AND CONFIDENTIAL**  
THE INFORMATION CONTAINED IN THIS  
DRAWING IS THE SOLE PROPERTY OF  
AUTOMATION COMPONENTS INC. ANY  
REPRODUCTION IN PART OR AS A WHOLE  
WITHOUT THE WRITTEN PERMISSION OF  
AUTOMATION COMPONENTS INC. IS  
PROHIBITED.



WORKWISE#:

DEBURR AND BREAK  
SHARP EDGES

DESCRIPTION:  
QTS-1710

DWG. NO.  
M0000442

REV  
1

MATERIAL:

DATE:  
8/4/2021

DRAWN BY:  
RM

APPROVED BY:

SCALE: 1:5

DO NOT SCALE DRAWING

SHEET 1 OF 1