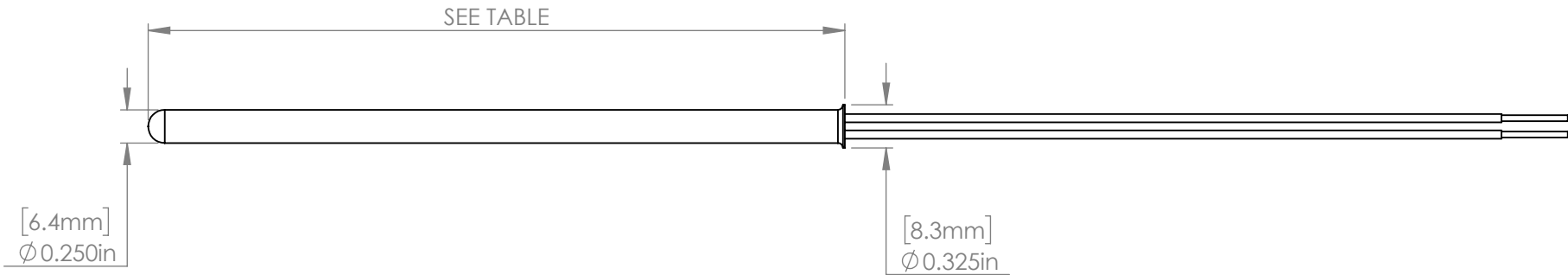


Length Probe	Probe Tolerance	Length Wires	Wire Tolerance
4"	±0.13"	3', 6', 10', 20'	±1.00"
6"	±0.13"	3', 6', 10', 20'	±1.00"
8"	±0.13"	3', 6', 10', 20'	±1.00"
12"	±0.25"	3', 6', 10', 20'	±1.00"
18"	±0.25"	3', 6', 10', 20'	±1.00"
24"	±0.25"	3', 6', 10', 20'	±1.00"



DIMENSIONS ARE IN INCHES
TOLERANCES: (UNLESS NOTED)
3 PLACE DECIMAL = ±0.005
2 PLACE DECIMAL = ±0.015
1 PLACE DECIMAL = ±0.050
DIMENSIONS IN INCHES
DRAWING NOT TO SCALE

PROPRIETARY AND CONFIDENTIAL
THE INFORMATION CONTAINED IN THIS
DRAWING IS THE SOLE PROPERTY OF
AUTOMATION COMPONENTS INC. ANY
REPRODUCTION IN PART OR AS A WHOLE
WITHOUT THE WRITTEN PERMISSION OF
AUTOMATION COMPONENTS INC. IS
PROHIBITED.



WORKWISE#:

DEBURR AND BREAK
SHARP EDGES

DESCRIPTION:
1/4" Diameter Probe, Flared

DWG. NO.
M0000324

REV
1

MATERIAL:

DATE:
9/24/2021

DRAWN BY:
TM

APPROVED BY:

SCALE: 4:5

DO NOT SCALE DRAWING

SHEET 1 OF 1