

8 7 6 5 4 3 2 1

F

F

E

E

D

D

C

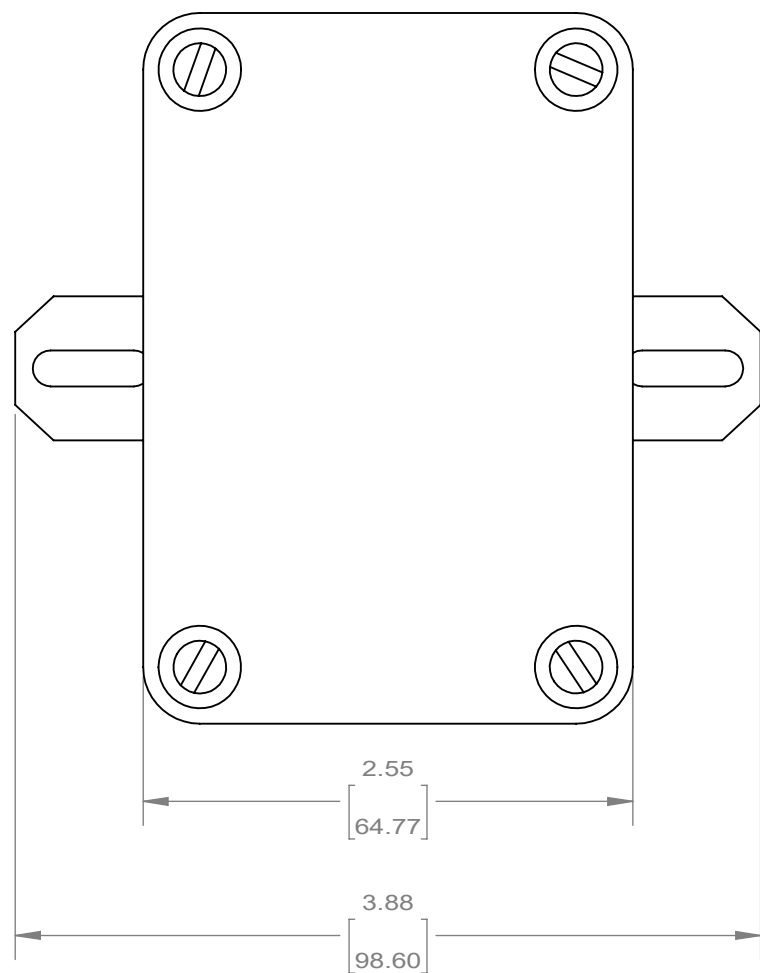
C

B

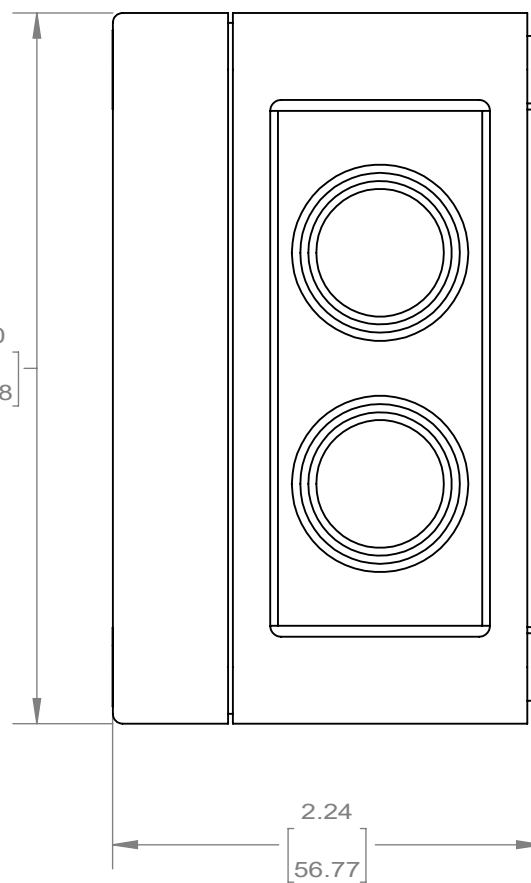
B

A

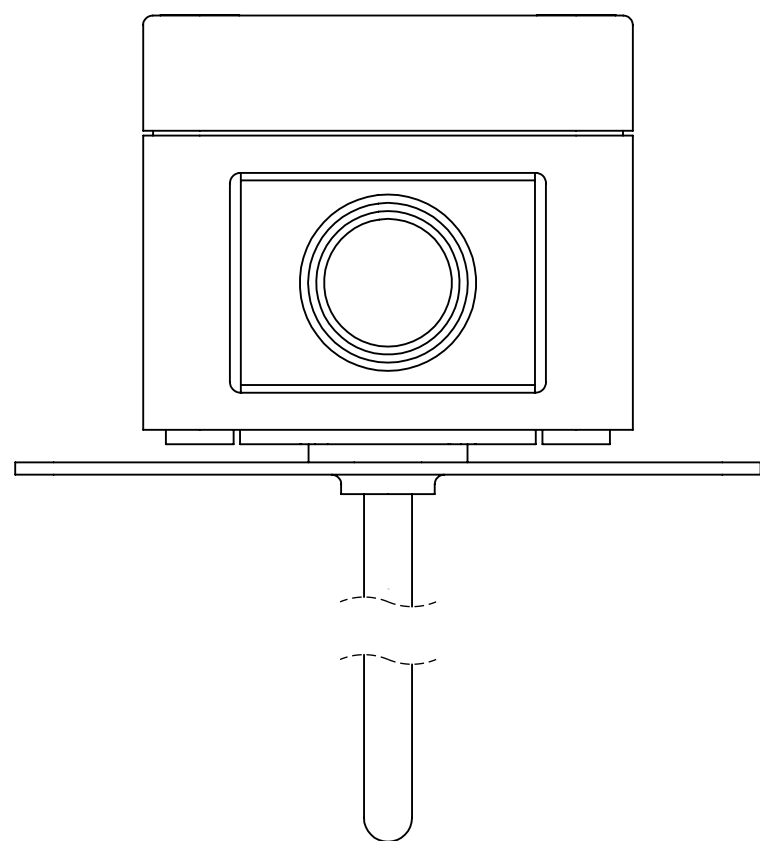
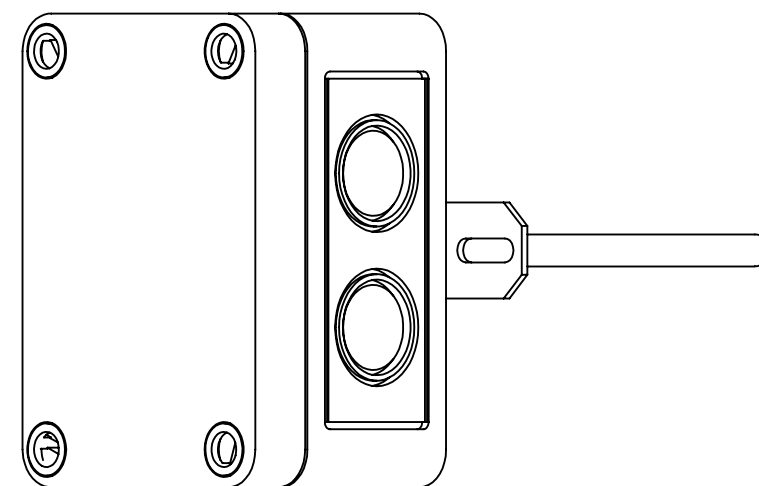
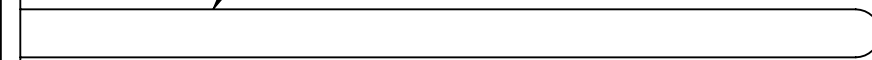
A



3.70
[93.98]



AVAILABLE WITH 4", 8", 12",
AND 18" PROBE LENGTHS



| | | | |
|--|-----------|----------------------------|----|
| DO NOT SCALE DRAWING | | NOT FOR MANUFACTURING USE. | |
| ACI PRODUCT DIMENSIONAL DRAWING: M0000284 NEMA 4X DUCT | | | |
| DIMENSIONS ARE FOR REFERENCE ONLY. ALL DIMENSIONS ARE IN INCHES [MILLIMETERS] UNLESS OTHERWISE STATED. | DRAWN BY: | PCA | A3 |
| | DATE: | 02/15/2017 | |
| SCALE:1:1 | | SHEET 1 OF 1 | |

8 7 6 5 4 3 2 1