



# UNIVERSAL MOUNTING PLATE

Installation & Operation Instructions

Phone: 1-888-967-5224  
Website: workaci.com

## GENERAL INFORMATION

The A/MOUNTING PLATE may be used to mount devices over a larger electrical enclosure or hole in the wall. It is made of a plastic material and contains numerous mounting holes to match most standard electrical boxes used in the industry today. It may be mounted vertically or horizontally. The colors available match ACI's standard room enclosures but will match many similar colored devices.

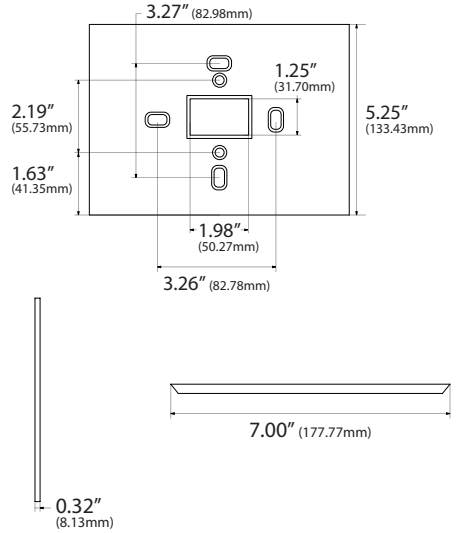
## MOUNTING INSTRUCTIONS

Not all combinations of installations are detailed. The basic idea of the plate is to mount it to the wall or 2"x4" electrical box using the same mounting hole spacing as the ACI Room enclosure.

### Note:

All mounting holes are filled and must be drilled out for the application. When drilling pilot holes for the mounting screws, always drill from the backside of the plate. The pilot holes should be no larger than 9/64".

## FIGURE 1: DIMENSIONS



## PRODUCT SPECIFICATIONS

SPECIFICATIONS	
<b>Base Material:</b>	ABS 3501
<b>Product Dimensions (All Models):</b>	(L) 5.25" (133.43 mm) x (W) 7.00" (177.77 mm) x (H) 0.32" (8.13 mm)
<b>Product Weight:</b>	0.2 lbs. (0.091 Kg)
<b>Agency Approvals:</b>	CE, RoHS2, WEEE

## STANDARD ORDERING

Model #	Item #	Color	For Use With
A/MOUNTING PLATE BEIGE R	106821	Beige (9981)	ACI "R" Beige Room Enclosures, Infinity
A/MOUNTING PLATE WHITE R	126386	White (90201)	ACI "R-W" White Room Enclosures, Infinity
A/MOUNTING PLATE WHITE R2	143369	White (90198)	ACI "R2" Room Enclosures, Aries

## WARRANTY

The ACI Mounting Plate is covered by ACI's Two (2) Year Limited Warranty, which is located in the front of ACI'S SENSORS & TRANSMITTERS CATALOG or can be found on ACI's website: [www.workaci.com](http://www.workaci.com).

