



OUTSIDE HORIZONTAL PICKUP PORT SERIES

Installation & Operation Instructions

Phone: 1-888-967-5224

Website: workaci.com

GENERAL INFORMATION

The ACI Outdoor Pickup Ports are designed to be used in conjunction with any low differential pressure transmitter (see ACI DLP or MLP2 Series) to provide a weatherproof outdoor reference point for monitoring building static pressure. When used in conjunction with a low differential pressure transmitter the pickup ports provide excellent accuracy and reliability.

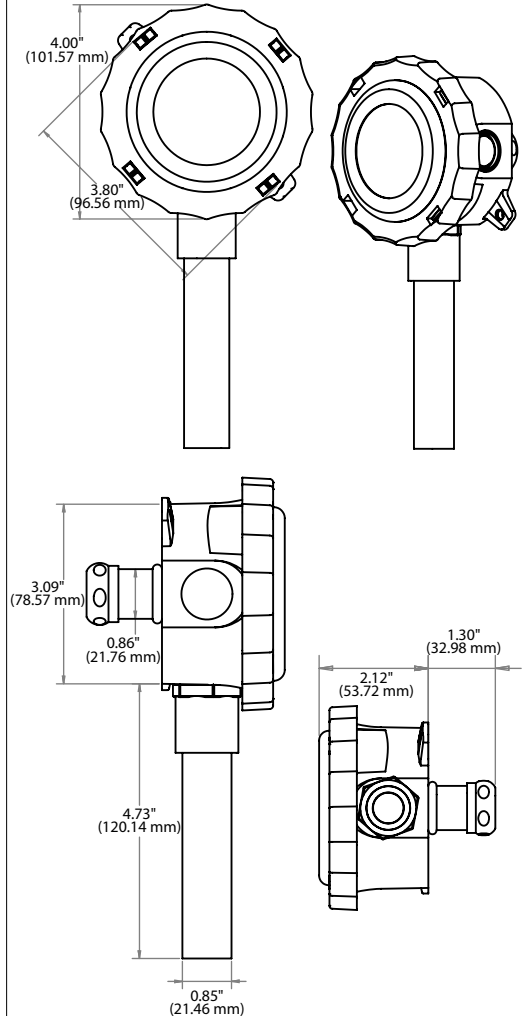
For optimal pressure measurement, follow these tips:

- The A/O-PUP-H is designed to be horizontally mounted with the tube perpendicular with the ground or roof.
- Mount it away from the side of the building, or anything that would cause an up-draft or false reading of the wind. There needs to be a natural reading of air pressure. Wind action can cause a problem.
- Mount it at least 18" to 24" away from any obstructions.
- Do not mount it near open windows or building corners.
- Do not mount near a roof drain. Condensation can get into the unit and give it a false reading.
- Ensure there are no knockout holes open to atmosphere. These need to be closed. We recommend the tubing be run in a conduit.

MOUNTING INSTRUCTIONS

1/2" EMT Conduit should be used for mounting support and housing the tubing. Support the conduit by using straps, and run the conduit to the bottom of the enclosure. The pickup port is supplied with a 1/2" EMT conduit compression fitting.

FIGURE 1: ENCLOSURE DIMENSIONS



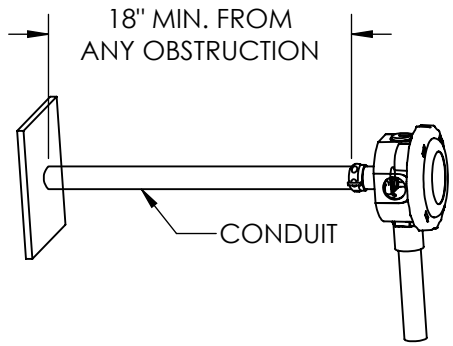
MOUNTING INSTRUCTIONS

(Continued)

Connect the tubing to the Outdoor pickup port barb fitting and slide the tubing down the conduit. Position the housing for optimal pressure measurement as explained in above tips. Tighten the compression fitting to secure the housing to the conduit. Run the conduit/tubing into the building, and then connect to your differential pressure transmitter.

For best results, make sure that the tubing is free of dirt, dust and condensation and that you keep the tubing run as short as possible to provide best response time.

FIGURE 2: MOUNTING



W.E.E.E. DIRECTIVE

At the end of their useful life the packaging and product should be disposed of via a suitable recycling centre. Do not dispose of with household waste. Do not burn.

WARRANTY

The ACI Outdoor Pickup Port Series temperature sensors are covered by ACI's Five (5) Year Limited Warranty, which is located in the front of ACI'S SENSORS & TRANSMITTERS CATALOG or can be found on ACI's website: www.workaci.com.

PRODUCT SPECIFICATIONS

CABLE & ENCLOSURE	
Tubing Connections:	Barbed fitting accepts 3/16" ID flexible Poly tubing
Maximum Operating Pressure:	Filter: 150 psi (10.3 bar) Medical Tubing (A/10' Tube, A/20' Tube, A/100' Tube): 65 psi maximum at 73°F (23°C)
Operating Temperature Range:	-22° to 185°F (-30° to 85°C)
Storage Temperature Range:	-40° to 185°F (-40° to 85°C)
Enclosure Material Flammability Rating:	ASA/PC with UV Protectant UL 94-V0
Filter Material:	Nickel Plated Brass

