



CTS-M5 Toxic Sensor Series

The CTS-M5 Series has a microprocessor based transmitter that uses an Electrochemical gas sensor to monitor Oxygen or Ammonia. The CTS-M5 Series offers great value since it includes many standard features. A digital display (LCD), push-button programming and on-board meter jacks are all standard. The transmitter provides an analog output of 4-20 mA or 2-10 VDC, proportional to the measured gas range, for transmission to the building management system. The CTS-M5 Series offers exhibity and simplicity in one package. The relay setpoints may be seen as increasing or decreasing actuation simply by adjusting the deadband relationship. Set

the deactuation point above the actuation setpoint and the CTS-M5 will automatically alarm on decreasing concentrations. Refer to all applicable Federal, State, Provincial and Local Health and Safety laws and regulations before using these products. **CTS-M5 is not compatible with the Q4C-II, M-Controller 2, or Q-controllers. Not compatible with Modbus RTU communication**

Applications: Parking Garages, Arenas, Kitchens, Laundry Rooms, Warehouses, Loading Docks, Service Garages, School Bus Parking Areas

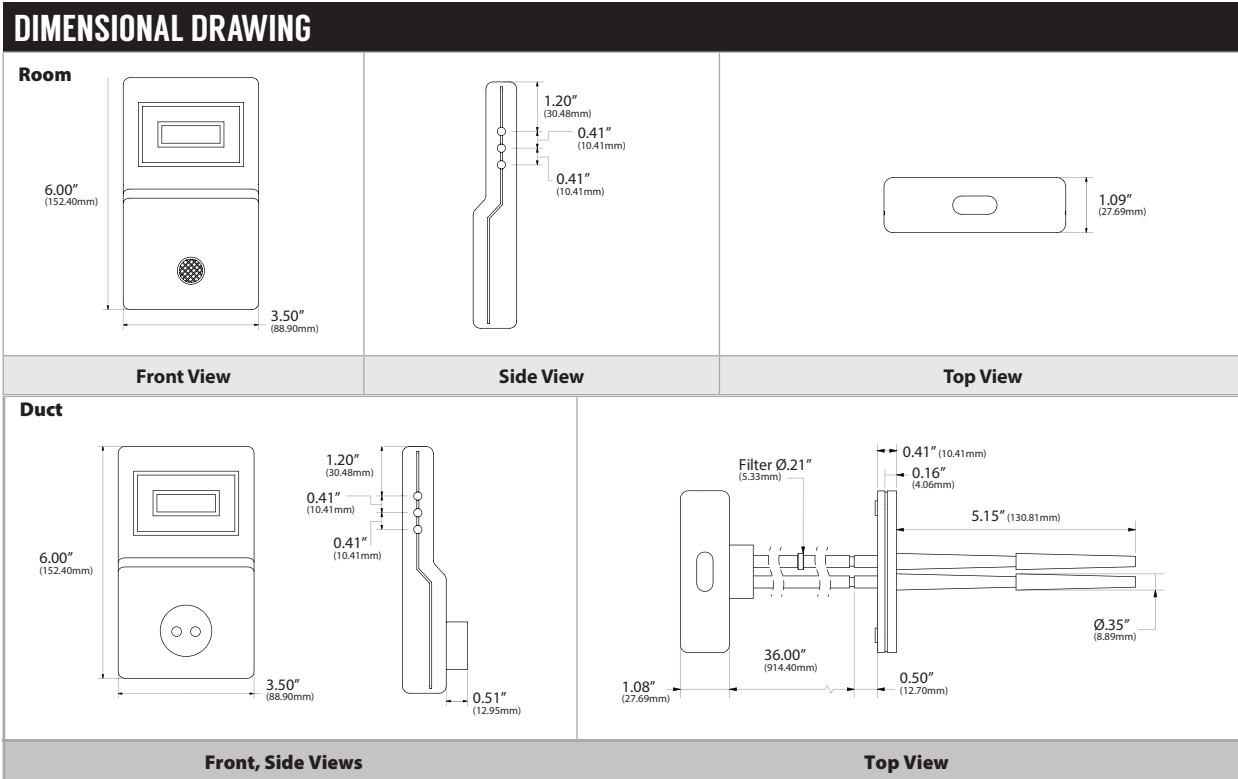
The CO Room Series Gas Transmitters are covered by ACI's Two (2) Year Limited Warranty against defects in material and workmanship from the date of shipment with the exception of the Sensor Modules (Electrochemical/Toxic: Six Months and Catalytic/Combustible: One Year). The warranty can be found in the front of ACI's Sensors & Transmitters catalog, as well as on ACI's website, workaci.com.

PRODUCT SPECIFICATIONS

| | |
|---------------------------------------|---|
| Supply Voltage: | 24 VAC +/- 10% Floating; 24 VAC +/- 10%, One side Grounded; 24 VDC |
| Supply Current: | 100 mA nominal 250 mA maximum |
| Power Usage: | 6.6 Watts maximum |
| Operating Temperature: | -4°F to 104°F (-20°C to 40°C) |
| Operating Humidity: | 15 to 90% RH Continuous, non-condensing; 0 to 99% RH Intermittent, non-condensing |
| Accuracy: | +/- 2.5% of Reading |
| Repeatability: | +/- 1% of Reading |
| Operating Pressure: | Atmospheric +/- 10% |
| Response Time: | Less than 60 Seconds for 90% of step change |
| Sensor Type: | Electrochemical |
| Sensor Life: | 2-3 years typical for Ammonia 18 months typical for Oxygen |
| Factory Set Range: | NH3: 0-100 ppm O2: 0-25% v/v |
| Coverage Area: | 7500 sq. ft; 49' Radius |
| Indicators: | Alphanumeric, 2 line X 8 digit LCD / (2) Red LED's for Relay Status |
| Mounting Height: | O2: 4-6' Above Floor NH3: 6-18" Below Ceiling |
| Outputs: | 4 - 20mA, 2 - 10VDC |
| Relay & Buzzer (Optional): | Two SPDT Form C, Dry Contact, 1A @ 30 VDC/0.5A @ 125 VAC (Resistive Load), Buzzer Rating 85 dB @ one foot |
| Relay Life Expectancy: | 200,000 cycles minimum with 1A @ 30 VDC |
| Time Delays: | Actuation / De-Actuation: 0 to 60 Minutes in 5 minute Increments |
| Storage: | 32° to 68°F (0°C to 20°C) |
| Unit Shelf Life: | 6 Months from date of purchase |
| Enclosure: | Room: Polycarbonate/ABS Blend |
| Terminal Blocks: | Power wiring: 16 to 26 AWG (0.2 to 1.00 nm ²) Shielded Twisted Pair |
| Terminal Block Torque Rating: | 0.37 ft-lbs (0.5n-3m) Nominal |
| Product Dimensions: | Room: (H) 6.00" (152.4 mm) x (W) 3.50" (88.9 mm) x (D) 1.09" (27.87 mm) Duct: (H) 6.00" (152.4 mm) x (W) 3.5" (88.9 mm) x (D) 1.6" (40.6 mm) |
| Product Weight: | Room: 0.62 lbs (281.2 g) Duct: 1.00 lbs (0.45 kg) |

Note: Sensors and system should be scheduled to be tested for accuracy and functionality every 6 months for toxic, and every 3 months for combustible | Recalibrate or replace sensor boards if necessary | When installed @ > 3000' above sea level, the gas transmitters must be verified for accuracy & re-calibrated as needed after installation





STANDARD ORDERING

Model # Example: **CTS-M5130X-D000000** -OR- **128250**

| Model # | Item # | Description |
|---------------------------|--------|---|
| CTS-M5130X-D000000 | 125963 | Oxygen Duct Mount, Standard Enclosure |
| CTS-M5130X-D0R0000 | 142994 | Oxygen Duct Mount with Display, Relay, Buzzer, Standard Enclosure |
| CTS-M5130X-Q000000 | 125956 | Oxygen Room Mount, Standard Enclosure |
| CTS-M5130X-Q0R0000 | 125955 | Oxygen Room Mount with Display, Relay, Buzzer, Standard Enclosure |
| CTS-M5220X-Q000000 | 125950 | Ammonia Room Mount, Standard Enclosure |
| CTS-M5220X-Q0R0000 | 132505 | Ammonia, Room Mount with Display, Relay, Buzzer, Standard Enclosure |

ACCESSORIES ORDERING

| Model # | Item # | Description |
|----------------------|--------|---|
| 83830-020-000 | 127649 | Calibration Adapter |
| GAS CAL KIT* | 148426 | Gas Cal Kit includes Carry Case, 0.5lpm regulator, C10 to CGA-600 adapter, tubing |
| 6300-0037 | 128250 | O2 Sensor for CTS-M5 130 |
| 6300-0038 | 138529 | NH3 Replacement Sensor for CTS-M5 |

Note*: Refer to GAS CAL KIT data sheet for specific's

