

DIMENSIONS ARE IN INCHES
 TOLERANCES: (UNLESS NOTED)
 3 PLACE DECIMAL = ±0.005
 2 PLACE DECIMAL = ±0.015
 1 PLACE DECIMAL = ±0.050
 DIMENSIONS IN INCHES
 DRAWING NOT TO SCALE

PROPRIETARY AND CONFIDENTIAL
 THE INFORMATION CONTAINED IN THIS
 DRAWING IS THE SOLE PROPERTY OF
 AUTOMATION COMPONENTS INC. ANY
 REPRODUCTION IN PART OR AS A WHOLE
 WITHOUT THE WRITTEN PERMISSION OF
 AUTOMATION COMPONENTS INC. IS
 PROHIBITED.



ITEM NUMBER:
 BN2130-O

DEBURR AND BREAK
 SHARP EDGES

DESCRIPTION:
 BACnet MS/TP, Modbus RTU, Relative
 Humidity and Temperature, Outside

DWG. NO.
 M0000647

REV
 1

MATERIAL:

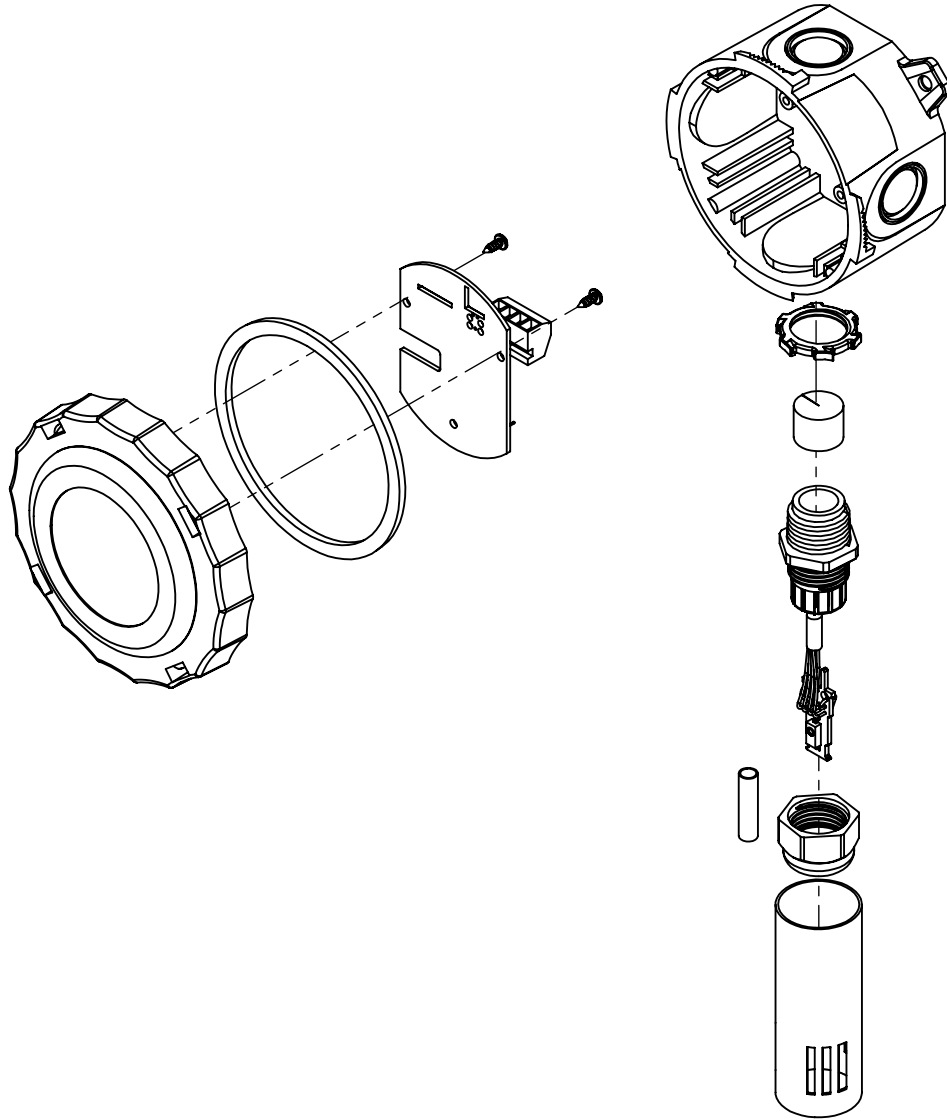
DATE:
 4/3/2020

DRAWN BY:
 DSC

APPROVED BY:
 TEQ

SCALE: 1:2

DO NOT SCALE DRAWING SHEET 1 OF 2



DIMENSIONS ARE IN INCHES
 TOLERANCES: (UNLESS NOTED)
 3 PLACE DECIMAL = ± 0.005
 2 PLACE DECIMAL = ± 0.015
 1 PLACE DECIMAL = ± 0.050
 DIMENSIONS IN INCHES
 DRAWING NOT TO SCALE

PROPRIETARY AND CONFIDENTIAL
 THE INFORMATION CONTAINED IN THIS
 DRAWING IS THE SOLE PROPERTY OF
 AUTOMATION COMPONENTS INC.. ANY
 REPRODUCTION IN PART OR AS A WHOLE
 WITHOUT THE WRITTEN PERMISSION OF
 AUTOMATION COMPONENTS INC. IS
 PROHIBITED.



ITEM NUMBER:
 BN2130-O

DEBURR AND BREAK
 SHARP EDGES

DESCRIPTION:
 BACnet MS/TP, Modbus RTU, Relative
 Humidity and Temperature, Outside

DWG. NO.
 M0000647

REV
 1

MATERIAL:

DATE:
 4/3/2020

DRAWN BY:
 DSC

APPROVED BY:
 TEQ

SCALE: 2:5

DO NOT SCALE DRAWING

SHEET 2 OF 2