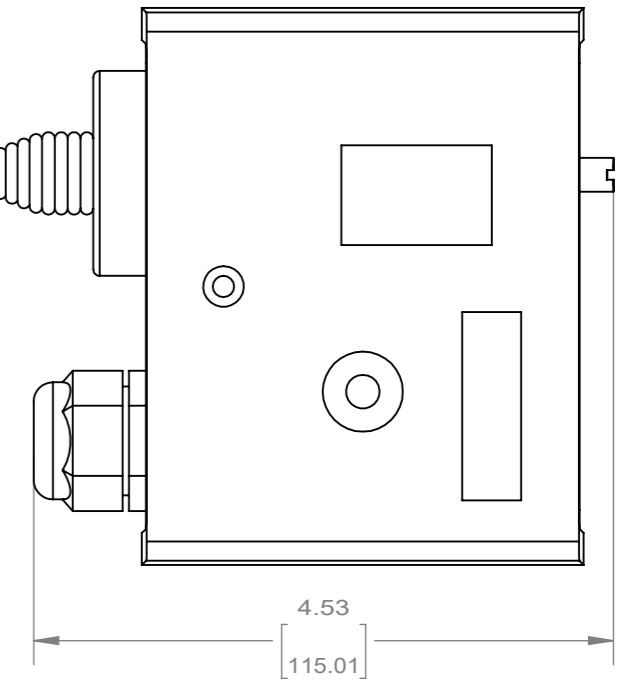
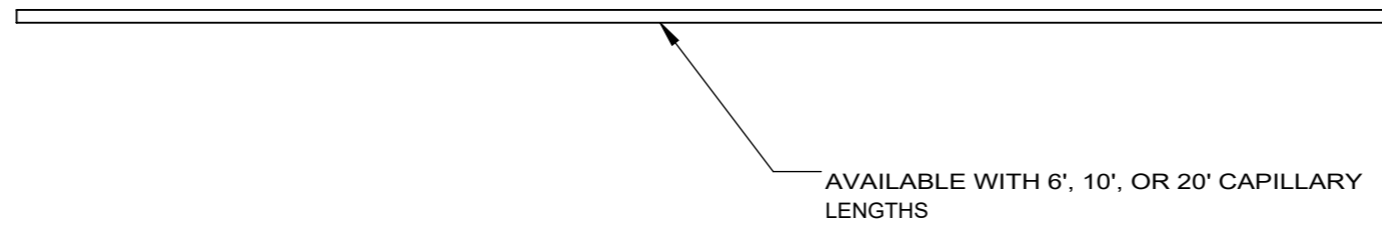
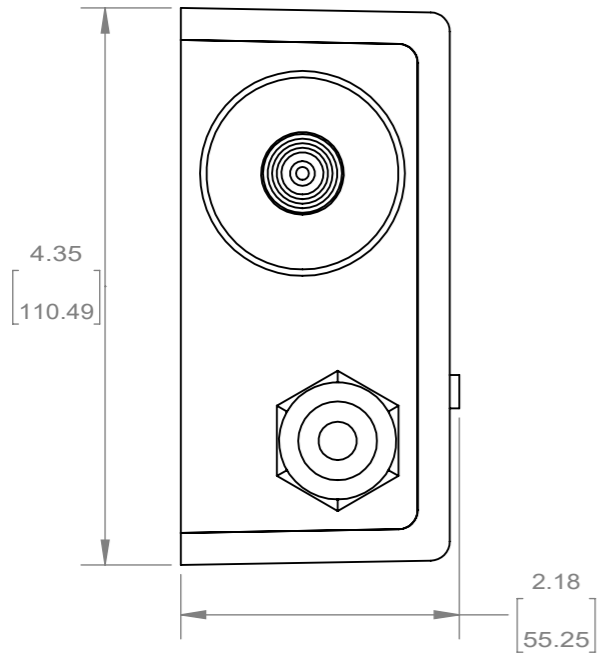


8 7 6 5 4 3 2 1

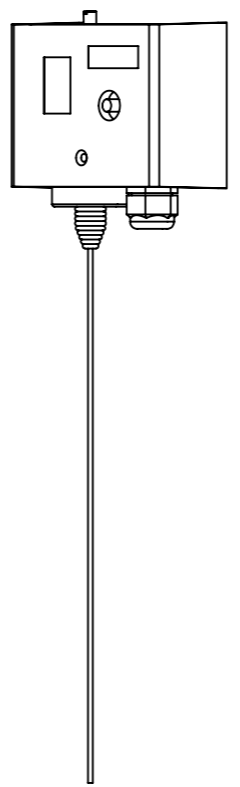
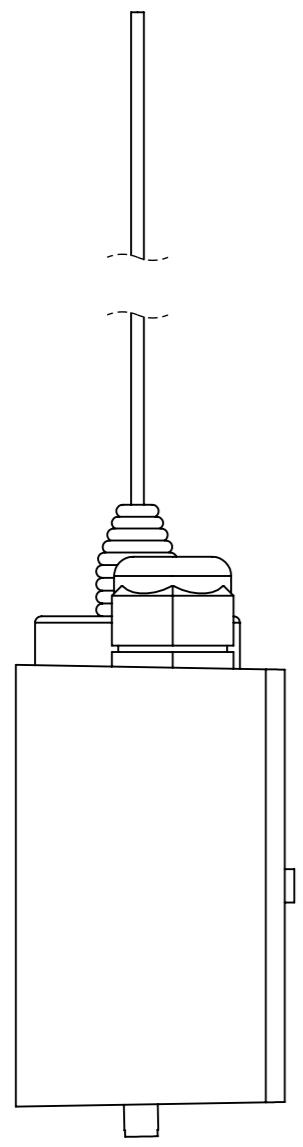
F

F



D

D



C

C

B

B

A

A

*AVAILABLE WITH MANUAL OR AUTO RESET



DO NOT SCALE DRAWING		NOT FOR MANUFACTURING USE.	
ACI PRODUCT DIMENSIONAL DRAWING: M0000556			
DIMENSIONS ARE FOR REFERENCE ONLY. ALL DIMENSIONS ARE IN INCHES [MILLIMETERS] UNLESS OTHERWISE STATED.		DRAWN BY: PCA	A3
		DATE: 07/13/2017	
SCALE: 1:1.5		SHEET 1 OF 1	

8 7 6 5 4 3 2 1