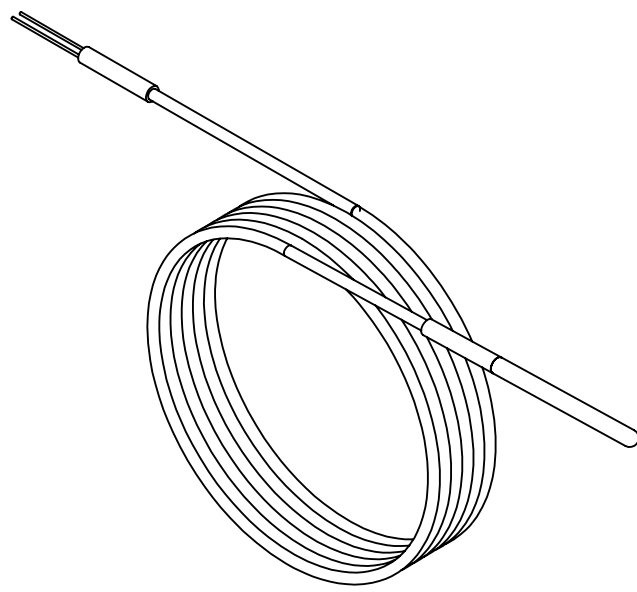
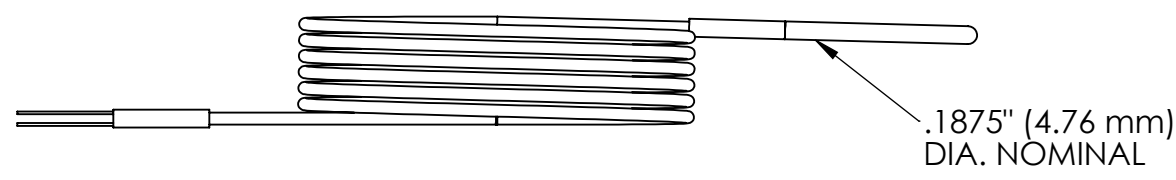
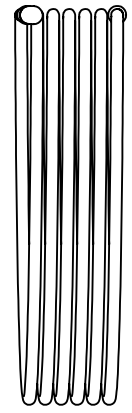
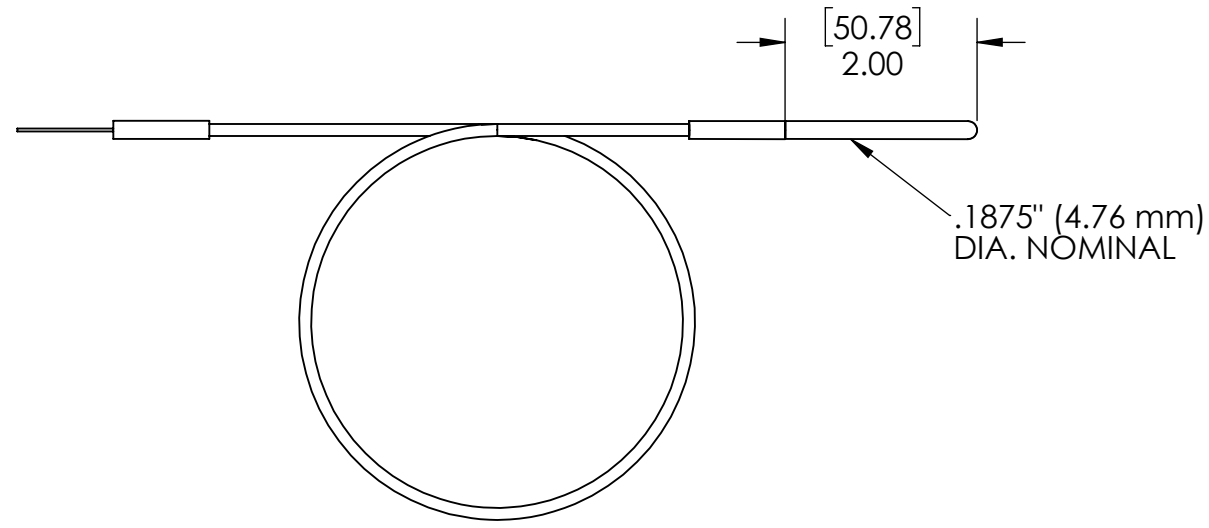


4

3

2

1



B

B

A

A

PROPRIETARY AND CONFIDENTIAL
 THE INFORMATION CONTAINED IN THIS DRAWING IS THE SOLE PROPERTY OF <INSERT COMPANY NAME HERE>. ANY REPRODUCTION IN PART OR AS A WHOLE WITHOUT THE WRITTEN PERMISSION OF <INSERT COMPANY NAME HERE> IS PROHIBITED.

		UNLESS OTHERWISE SPECIFIED:		NAME	DATE		
		DIMENSIONS ARE IN INCHES TOLERANCES: FRACTIONAL ± ANGULAR: MACH ± BEND ± TWO PLACE DECIMAL ± THREE PLACE DECIMAL ±		DRAWN	JNW	7/19/2018	TITLE: FREEZER PROBE NO BOX
		INTERPRET GEOMETRIC TOLERANCING PER:		CHECKED			
		MATERIAL GALVANIZED STEEL		ENG APPR.			
		FINISH		MFG APPR.			
NEXT ASSY	USED ON			Q.A.			SIZE
APPLICATION		DO NOT SCALE DRAWING		COMMENTS:			DWG. NO. M0000599 FREEZER PROBE NO BOX
							REV 1
							SCALE: 1:2 WEIGHT:
							SHEET 1 OF 1

4

3

2

1