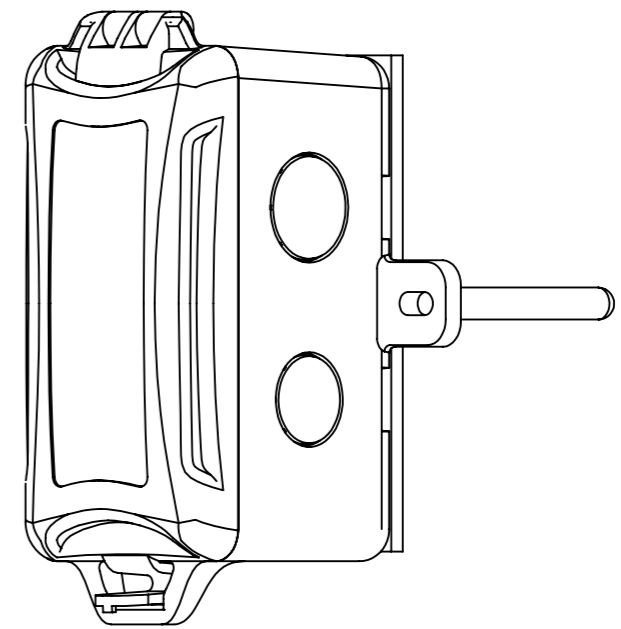
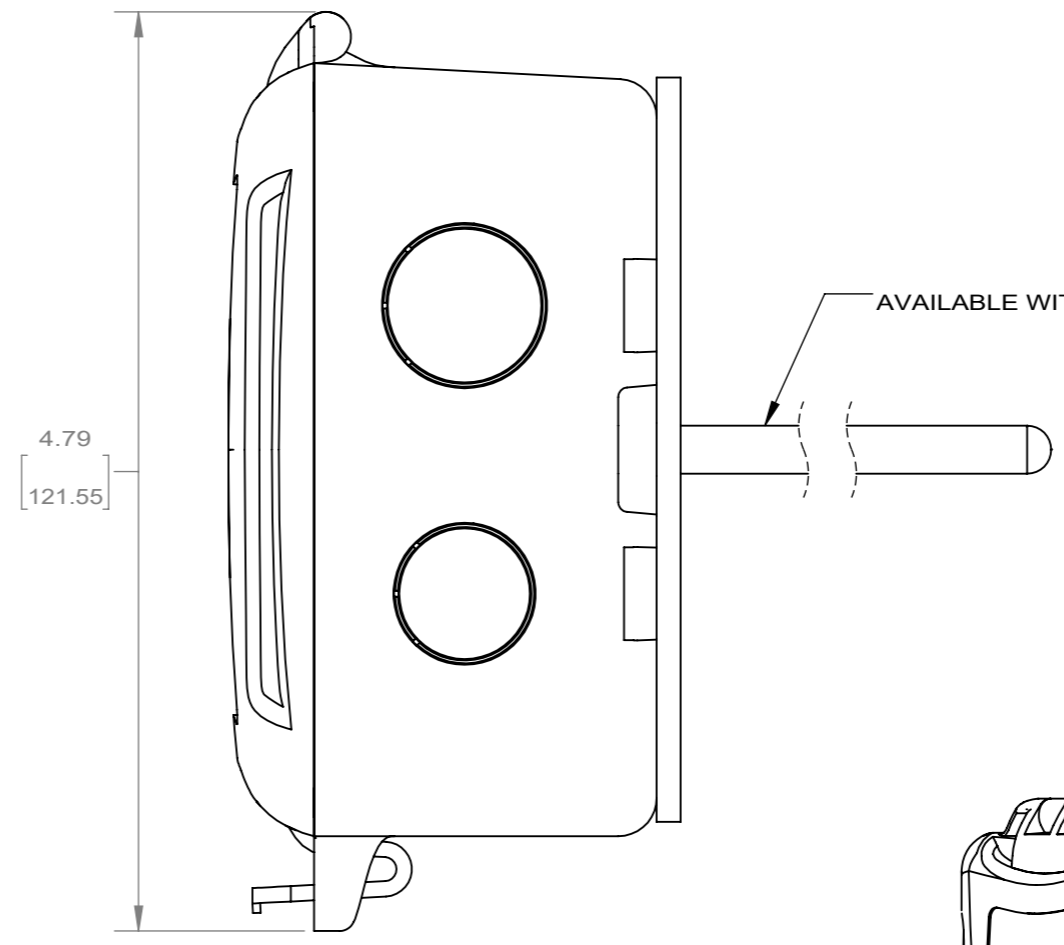
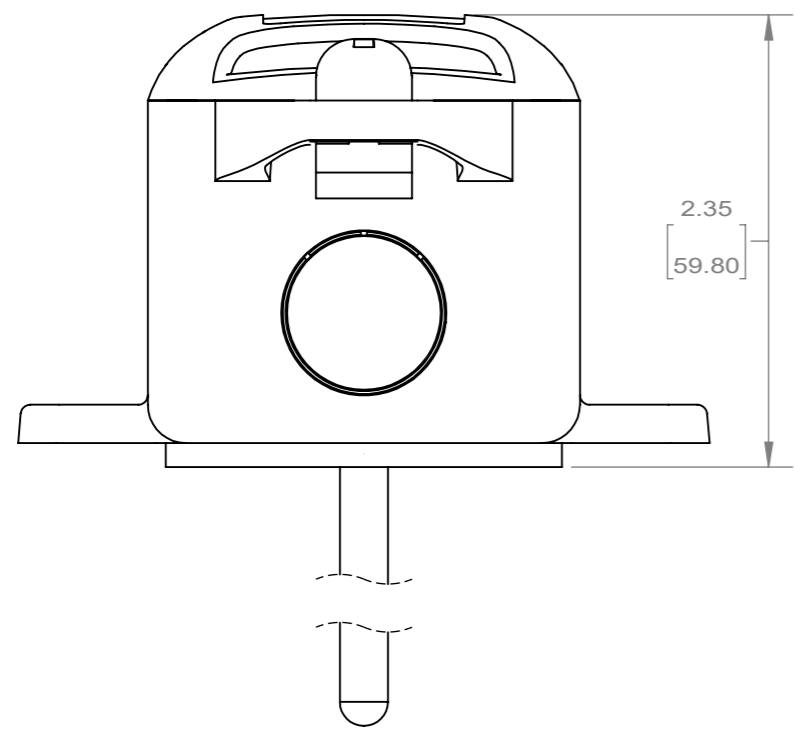
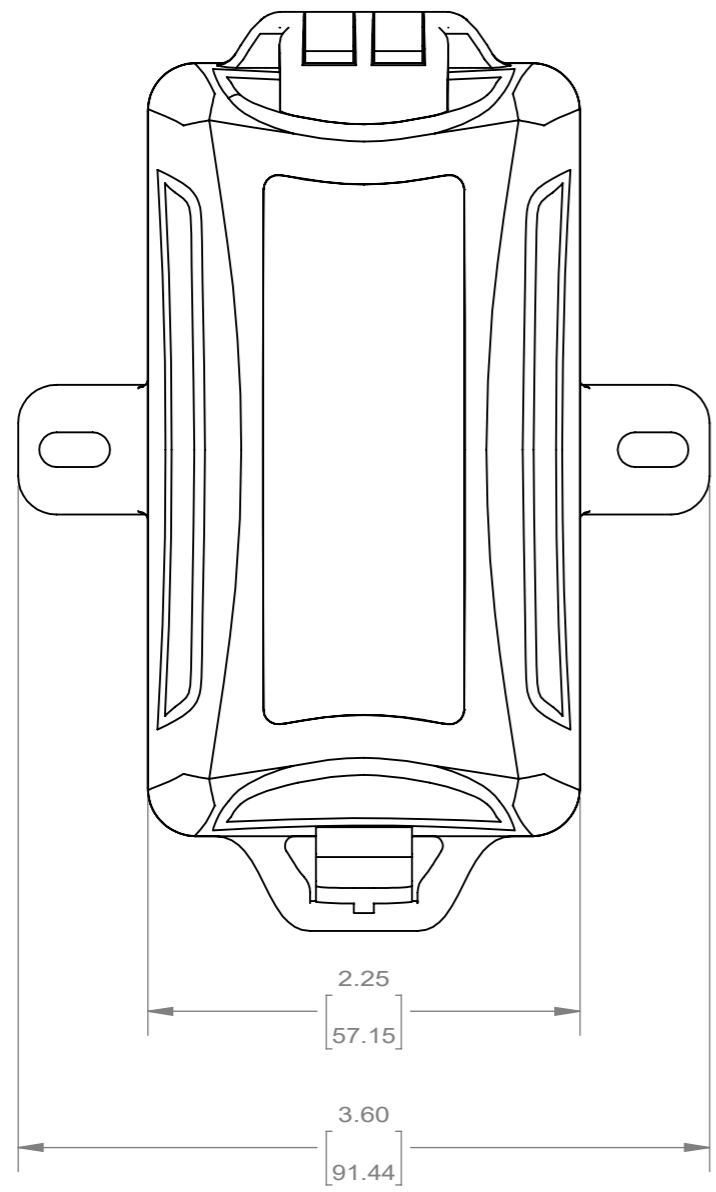


8 7 6 5 4 3 2 1

F  
E  
D  
C  
B  
A

F  
E  
D  
C  
B  
A



DO NOT SCALE DRAWING		NOT FOR MANUFACTURING USE.	
<b>ACI PRODUCT DIMENSIONAL DRAWING:</b> <b>M0000319 PLASTIC BOX RIGID AVERAGING</b>			
DIMENSIONS ARE FOR REFERENCE ONLY. ALL DIMENSIONS ARE IN INCHES [MILLIMETERS] UNLESS OTHERWISE STATED.	DRAWN BY:	PCA	A3
	DATE:	03/10/2017	
SCALE:1:1		SHEET 1 OF 1	

8 7 6 5 4 3 2 1