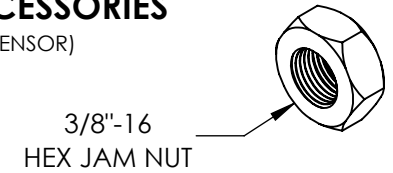


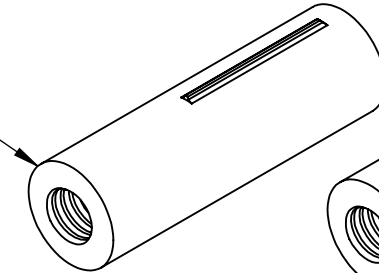
BUTTON SENSOR ACCESSORIES

(INCLUDED W/ BUTTON SENSOR)

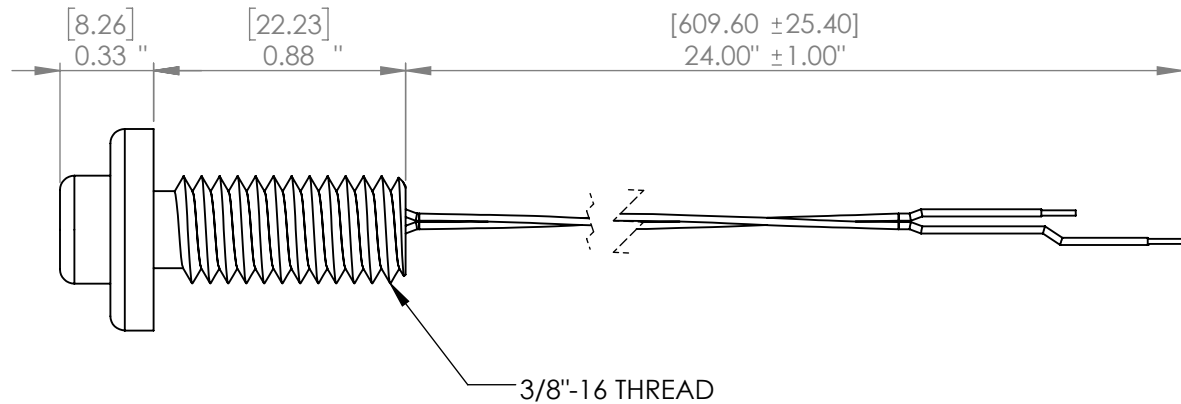
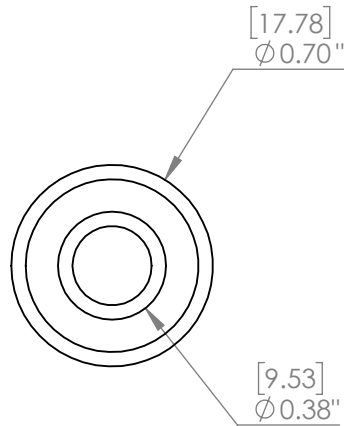
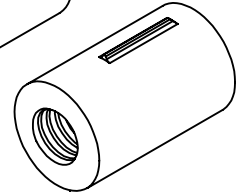


3/8"-16
HEX JAM NUT

2" X 0.620" O.D.
DELFIN SPACER



1" X 0.620" O.D.
DELFIN SPACER



MATERIAL: STAINLESS STEEL OR BRASS

DIMENSIONS ARE IN INCHES
TOLERANCES: (UNLESS NOTED)
3 PLACE DECIMAL = ±0.005
2 PLACE DECIMAL = ±0.015
1 PLACE DECIMAL = ±0.050
DIMENSIONS IN INCHES
DRAWING NOT TO SCALE

PROPRIETARY AND CONFIDENTIAL
THE INFORMATION CONTAINED IN THIS
DRAWING IS THE SOLE PROPERTY OF
AUTOMATION COMPONENTS INC. ANY
REPRODUCTION IN PART OR AS A WHOLE
WITHOUT THE WRITTEN PERMISSION OF
AUTOMATION COMPONENTS INC. IS
PROHIBITED.



DEBURR AND BREAK
SHARP EDGES

DESCRIPTION:
STEEL/BRASS BUTTON SENSOR

DWG. NO.
M0000273

REV
3

MATERIAL:

DATE:
6/10/2019

DRAWN BY:
TEQ

APPROVED BY:

SCALE: 1:2

DO NOT SCALE DRAWING

SHEET 1 OF 1