

8 7 6 5 4 3 2 1

F

F

E

E

D

D

C

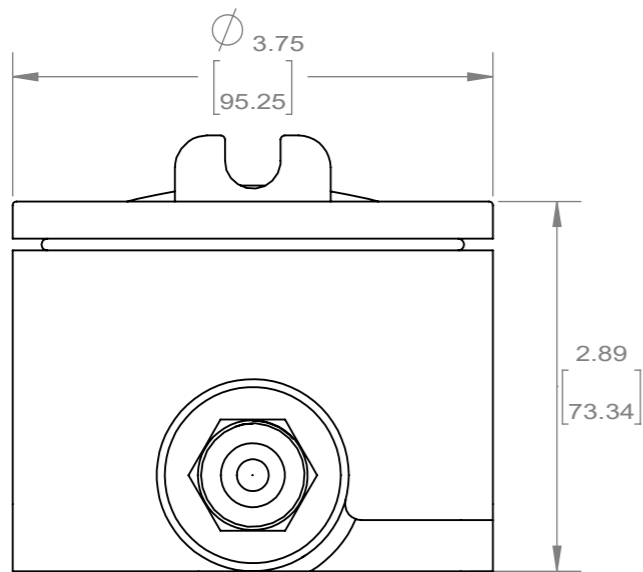
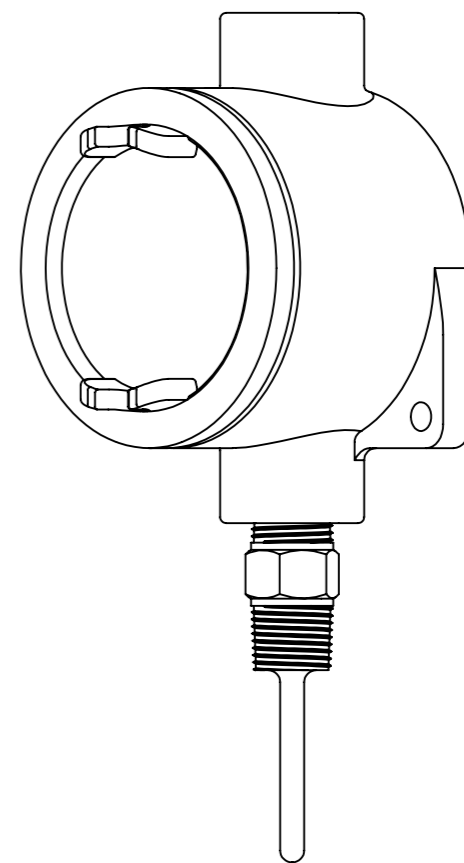
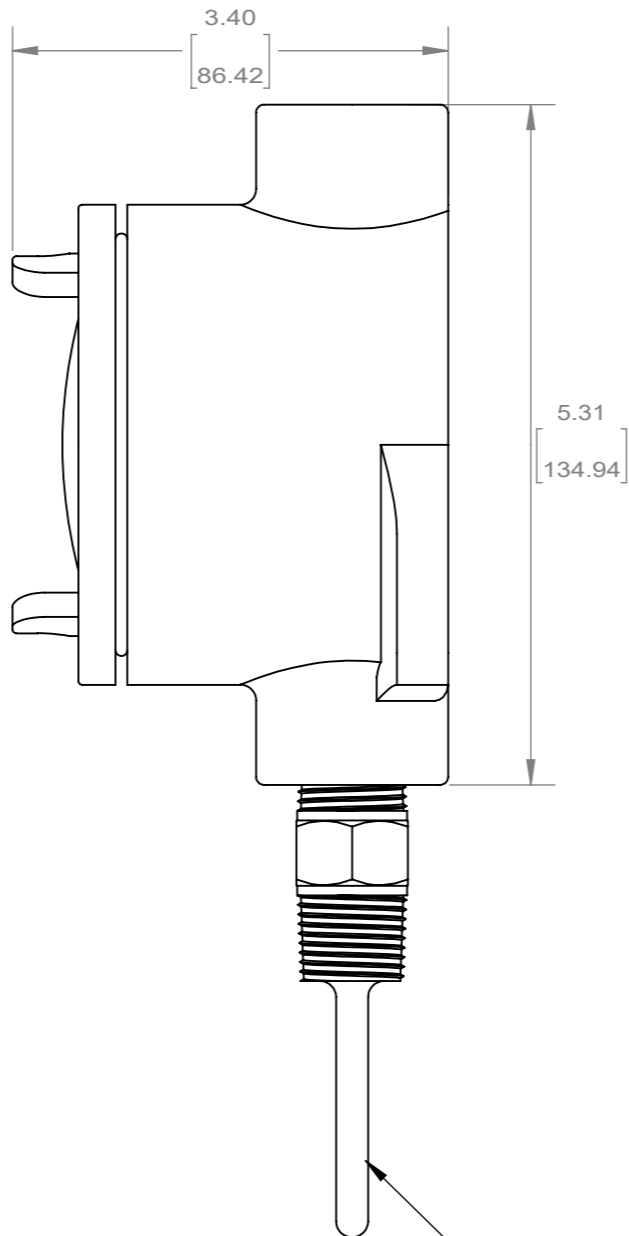
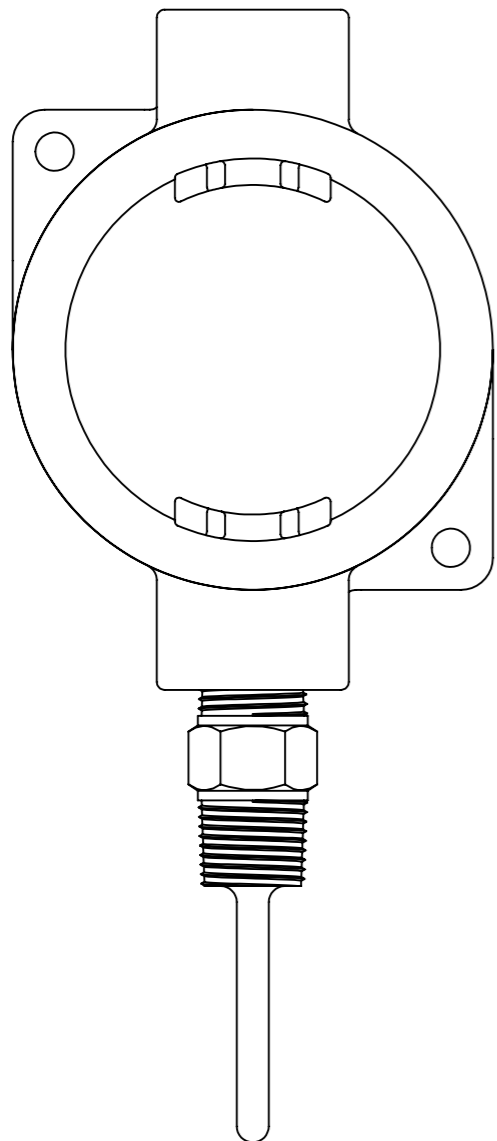
C

B

B

A

A



AVAILABLE IN 2" AND 8" PROBE LENGTHS



DO NOT SCALE DRAWING NOT FOR MANUFACTURING USE.

ACI PRODUCT DIMENSIONAL
DRAWING:
M0000335 HAZARDOUS ROOM

DIMENSIONS ARE FOR REFERENCE ONLY. ALL DIMENSIONS ARE IN INCHES [MILLIMETERS] UNLESS OTHERWISE STATED.	DRAWN BY:	PCA	A3
	DATE:	03/27/2017	
SCALE:1:1		SHEET 1 OF 1	

8 7 6 5 4 3 2 1