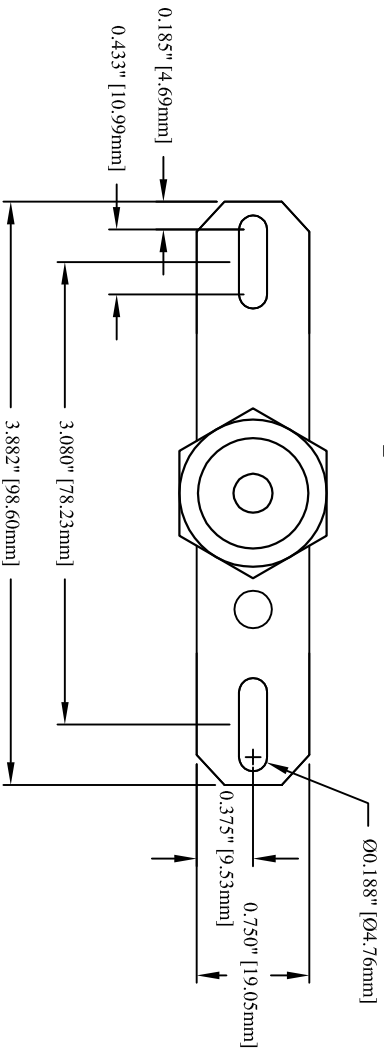
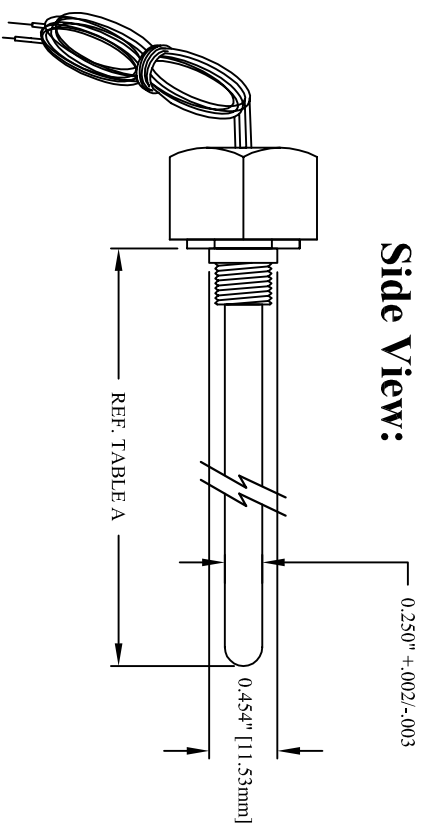


End View:



Top View:



Side View:

TABLE A

Part Number	Probe Length	Ref A (Insertion Length)
A/xx-DO-4"	6"	5.88" ± 0.13"
A/xx-DO-8"	8"	7.88" ± 0.13"
A/xx-DO-12"	12"	11.82" ± 0.25"
A/xx-DO-18"	18"	17.82" ± 0.25"

Note: "xx" = Sensor Type

TOLERANCE: (UNLESS NOTED)

3 PLACE DECIMAL = ±0.010
 2 PLACE DECIMAL = ±0.130
 1 PLACE DECIMAL = ±0.300
 ALL DIMENSIONS IN INCHES.
 DRAWING NOT TO SCALE.

WARNING!
 CONFIDENTIAL
 INFORMATION--
 PROPERTY OF ACI.
 UNAUTHORIZED USE
 STRICTLY FORBIDDEN.



DRAWING NUMBER
 M00000002

DATE	DESCRIPTION	DRAWN BY	APPROVED BY	DRAWING NUMBER	REV
11-04-09	DUCT TEMP. w/o BOX	DJK	TJD	M00000002	4