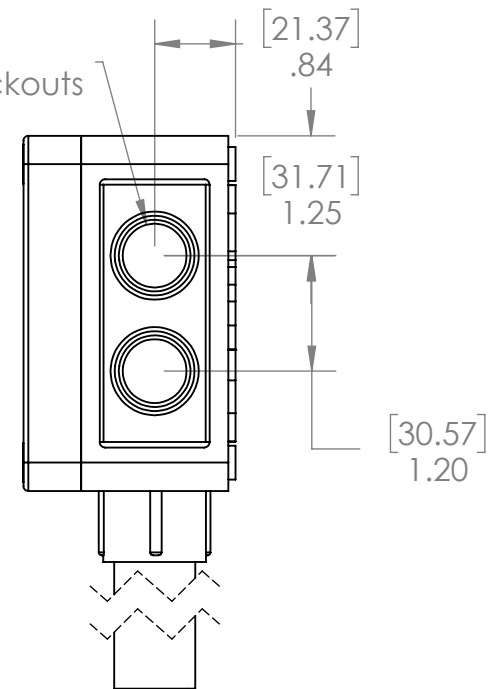


[16.89]
Ø.67
PG 11/16 Conduit Knockouts



DIMENSIONS ARE IN INCHES
TOLERANCES: (UNLESS NOTED)
3 PLACE DECIMAL = ±0.005
2 PLACE DECIMAL = ±0.015
1 PLACE DECIMAL = ±0.050
DIMENSIONS IN INCHES
DRAWING NOT TO SCALE

PROPRIETARY AND CONFIDENTIAL
THE INFORMATION CONTAINED IN THIS
DRAWING IS THE SOLE PROPERTY OF
AUTOMATION COMPONENTS INC. ANY
REPRODUCTION IN PART OR AS A WHOLE
WITHOUT THE WRITTEN PERMISSION OF
AUTOMATION COMPONENTS INC. IS
PROHIBITED.



ITEM NUMBER:
M0000096

DEBURR AND BREAK
SHARP EDGES

DESCRIPTION:
Outside RH-Temp Combo w/NEMA4 2Gang Box

DWG. NO.
10000205

REV
1

MATERIAL:

DATE:
9/19/2019

DRAWN BY:
DSC

APPROVED BY:

SCALE: 1:2

DO NOT SCALE DRAWING

SHEET 1 OF 1