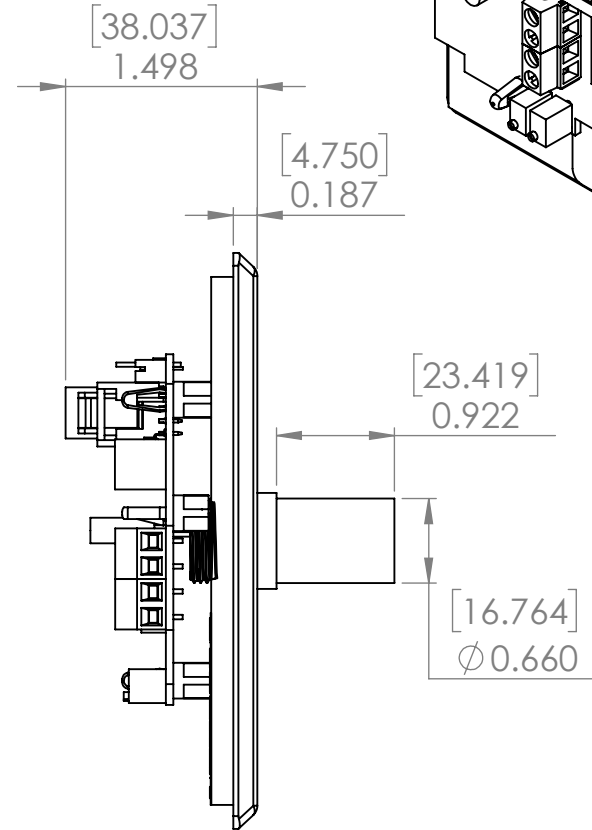
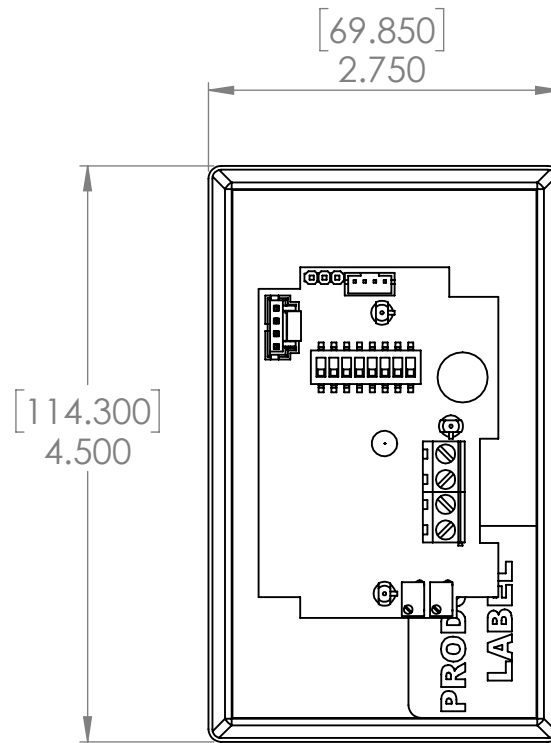
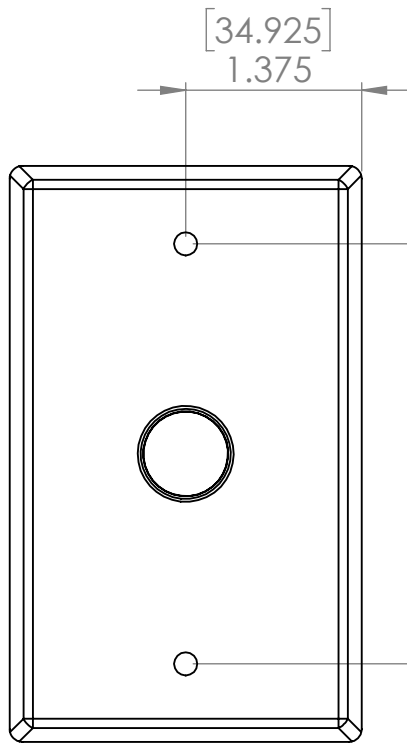
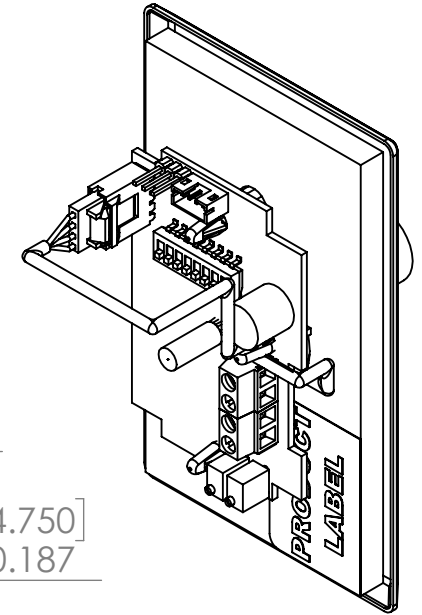
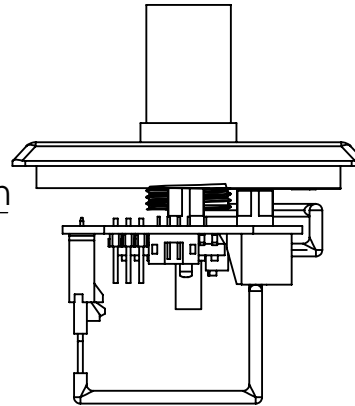
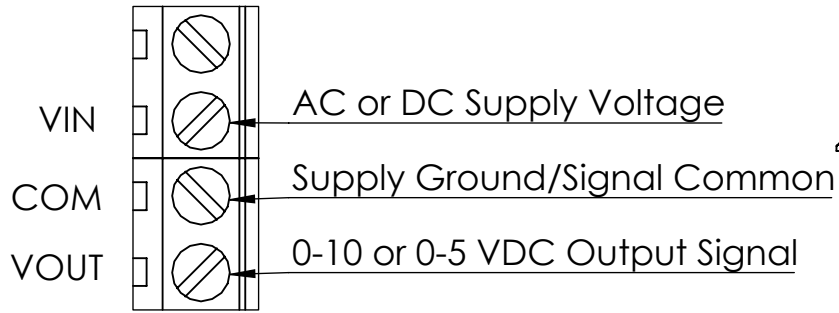


Terminal Block Connections



DIMENSIONS ARE IN INCHES
 TOLERANCES: (UNLESS NOTED)
 3 PLACE DECIMAL = ±0.005
 2 PLACE DECIMAL = ±0.015
 1 PLACE DECIMAL = ±0.050
 DIMENSIONS IN INCHES
 DRAWING NOT TO SCALE

PROPRIETARY AND CONFIDENTIAL
 THE INFORMATION CONTAINED IN THIS
 DRAWING IS THE SOLE PROPERTY OF
 AUTOMATION COMPONENTS INC. ANY
 REPRODUCTION IN PART OR AS A WHOLE
 WITHOUT THE WRITTEN PERMISSION OF
 AUTOMATION COMPONENTS INC. IS
 PROHIBITED.



ITEM NUMBER:
 RHX-XX-SP

DEBURR AND BREAK SHARP EDGES	DESCRIPTION: RH SP Assembly Drawing		DWG. NO. M0000112	REV 1
MATERIAL:	DATE: 6/11/2020	DRAWN BY: DSC	APPROVED BY:	SCALE: 2:3 DO NOT SCALE DRAWING
			SHEET 1 OF 1	