

8 7 6 5 4 3 2 1

F

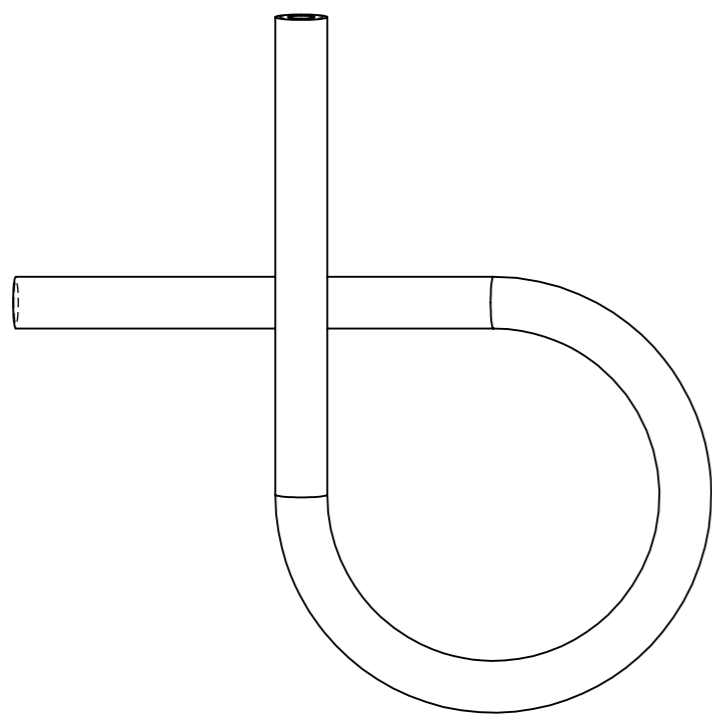
F

E

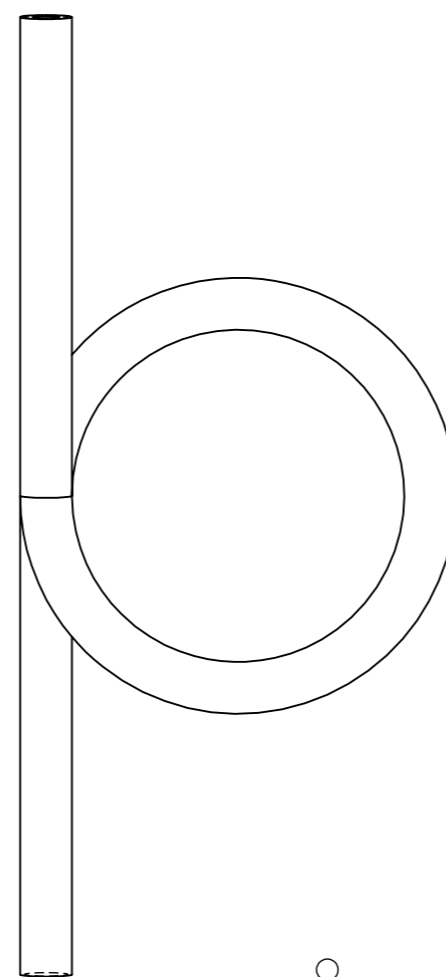
E

D

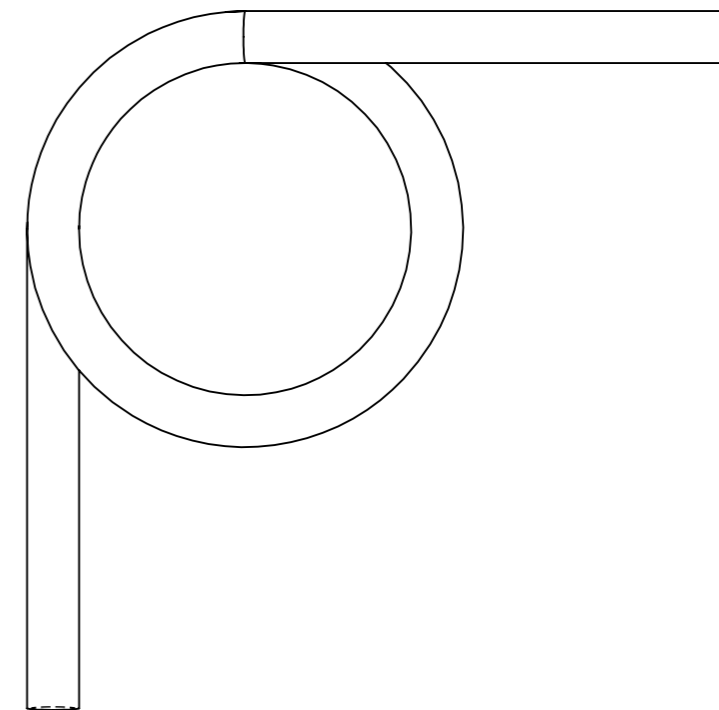
D



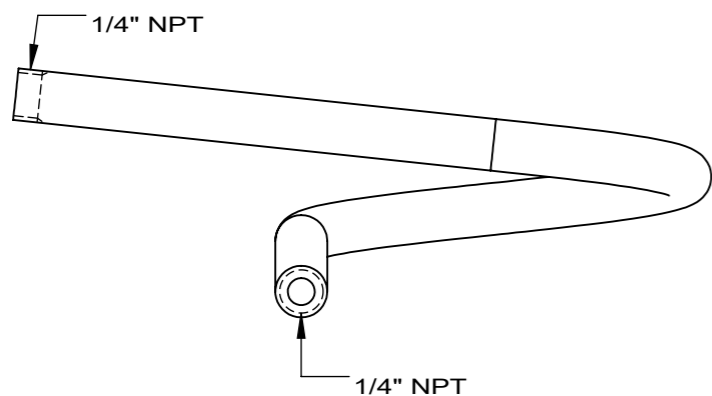
90



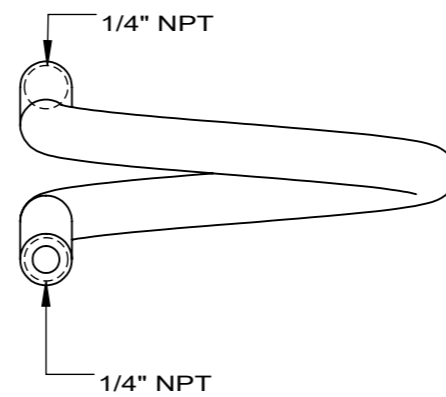
180



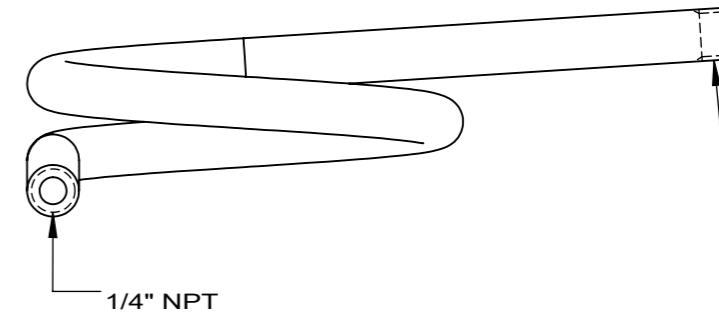
270



1/4" NPT



1/4" NPT



1/4" NPT

1/4" NPT

\*ALL TUBES ARE 316SS, SCHEDULE 80 WITH A .54" O.D. AND .282" I.D.



DO NOT SCALE DRAWING		NOT FOR MANUFACTURING USE.	
<b>ACI PRODUCT DIMENSIONAL DRAWING: M0000498 SYPHON-H SERIES</b>			
DIMENSIONS ARE FOR REFERENCE ONLY. ALL DIMENSIONS ARE IN INCHES [MILLIMETERS] UNLESS OTHERWISE STATED.	DRAWN BY:	PCA	A3
	DATE:	07/07/2017	
SCALE:1:2		SHEET 1 OF 1	

8 7 6 5 4 3 2 1

A

A