



SYPHONS

Gage Pressure Transducer

The A/SYPHON Series has been designed to provide protection for the Gage and Wet to Wet Differential Pressure transmitters from damage in boiler applications where the operating temperature of the steam being monitored is higher than the maximum operating temperature of the pressure transducer. Three different bend configurations of 90°, 180°, and 270° are available to allow the mounting of the pressure transducer vertically away from the main pipe. When mounting the pigtail syphons, make sure that the syphon is fully exposed to the ambient air and not covered by any pipe insulation. The Pigtail Syphons feature a stainless steel construction with 1/4" Male NPT pipe threads and are compatible with a wide range of gases and liquids.

The A/SYPHON Series is covered by ACI's Two (2) Year Limited Warranty. The warranty can be found in the front of ACI's Sensors & Transmitters catalog, as well as on ACI's website, www.workaci.com.

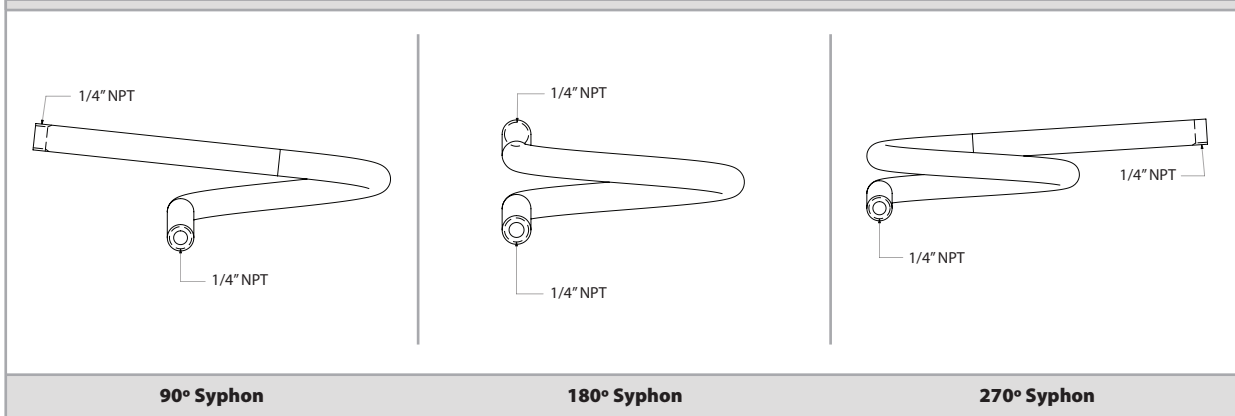
PRODUCT SPECIFICATIONS

Material Type	Welded 316 Series Stainless Steel
Pipe Schedule	Schedule 40 or Schedule 80; See ordering grid below
Thread Size	1/4" Male NPT x 1/4" Male NPT
Operating Temperature Range	See temperature vs pressure table below
Operating Pressure Range	See temperature vs pressure table below
Bend Configurations	90°, 180°, or 270°
Agency Approvals	ASME Boiler and Pressure Vessel Code 1995, MIL-I Certified (Military equivalent of ISO 9000), RoHS2 Compliant, WEEE, Reach
Product Weights	A/SYPHON-90: 0.40 lbs (0.181 kg) A/SYPHON-90-H: 0.50 lbs (0.227 kg) A/SYPHON-180: 0.40 lbs (0.181 kg) A/SYPHON-180-H: 0.60 lbs (0.272 kg) A/SYPHON-270: 0.50 lbs (0.227 kg) A/SYPHON-270-H: 0.70 lbs (0.318 kg)





DIMENSIONAL DRAWING



OPERATING TEMPERATURE, OPERATING PRESSURE

Temp (°F)	Temp (°C)	316 SS Schedule 40 (PSI max)	316 SS Schedule 80 (PSI max)	Notes
20 to 100	-6.7 to 37.7	1192	2580	1) Pressure/Temperature ratings are established on the basis of calculation in accordance with the ASME Boiler and Pressure Vessel Code, 1996 edition, 1995 Addenda, Section 1, Paragraph PG27. It is the end users responsibility to ensure that all components used in Pressure retaining service are adequately designed for the anticipated conditions.
200	93.2	1117	2419	
300	148.7	991	2145	
400	204.2	909	1967	
500	259.7	842	1822	
600	315.2	797	1725	
650	342	782	1693	
700	370.7	767	1661	
750	398.5	752	1629	
800	426.2	737	1596	
850	453	737	1596	
900	481.7	730	1580	
950	509.5	722	1564	
1000	537.2	715	1548	
1050	564	708	1532	
1100	592.7	705	1541	
1150	620.5	632	1406	
1200	648.2	480	1068	
1250	676	358	796	
1300	703.7	267	593	
1350	731.5	198	441	
1400	759.2	145	322	
1450	786	114	254	
1500	814.7	84	186	
				2) No Allowance has been provided for corrosion.

ORDERING

Model # Example: A/SYPHON-90 -OR- 137245

Model #	Item #	Description	Pipe Schedule	90° Bend	180° Bend	270° Bend
A/SYPHON-90	137245	¼" MNPT Syphon, 90°, Schedule 40, 316 SS	Schedule 40	●		
A/SYPHON-90-H	137246	¼" MNPT Syphon, 90°, Schedule 80, 316 SS	Schedule 80	●		
A/SYPHON-180	137247	¼" MNPT Syphon, 180°, Schedule 40, 316 SS	Schedule 40		●	
A/SYPHON-180-H	142091	¼" MNPT Syphon, 180°, Schedule 80, 316 SS	Schedule 80		●	
A/SYPHON-270	143945	¼" MNPT Syphon, 270°, Schedule 40, 316 SS	Schedule 40			●
A/SYPHON-270-H	137250	¼" MNPT Syphon, 270°, Schedule 80, 316 SS	Schedule 80			●

