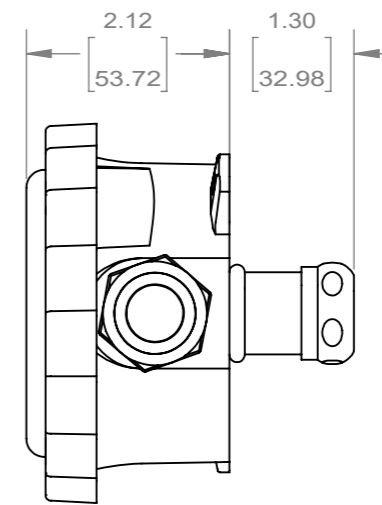
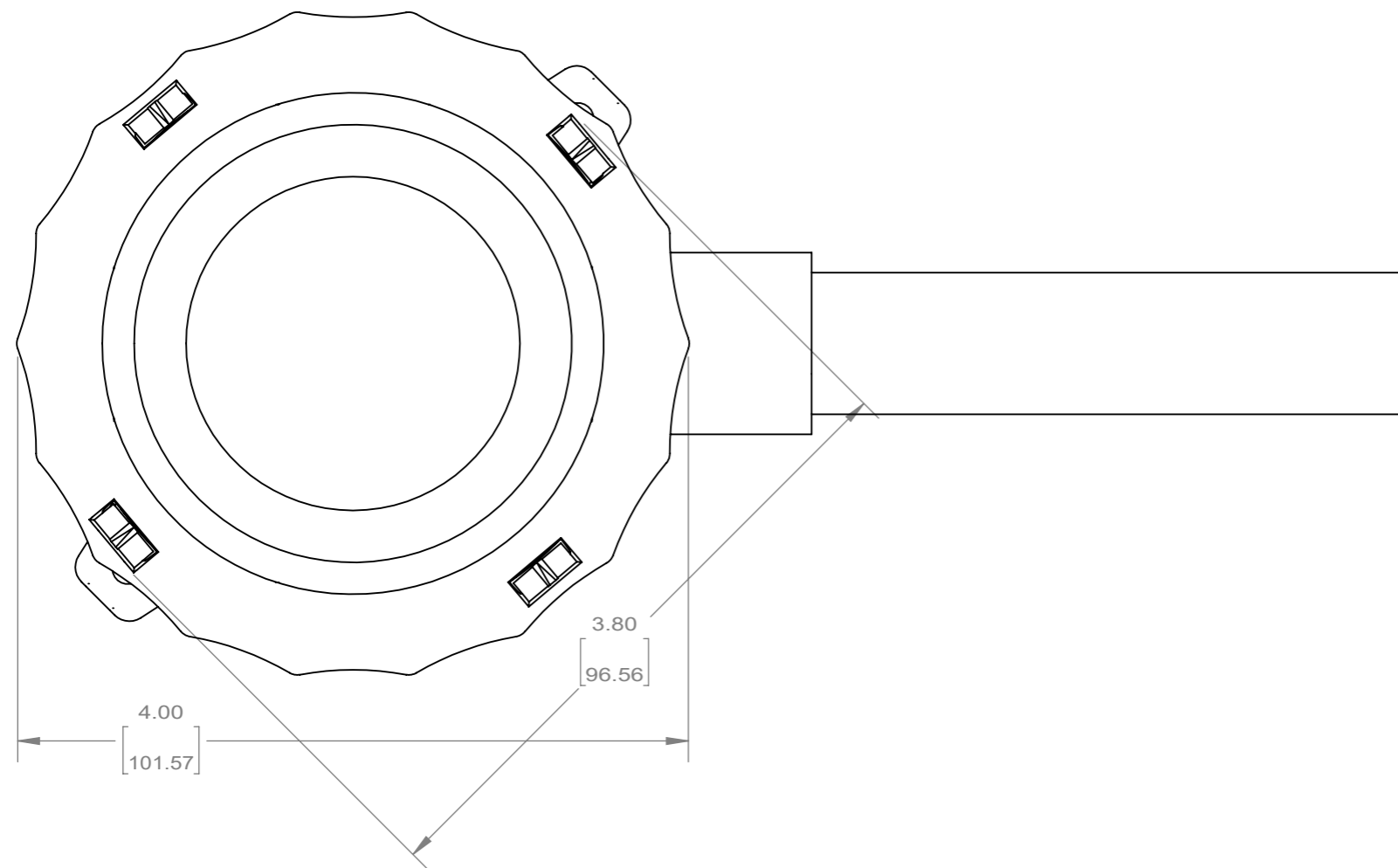


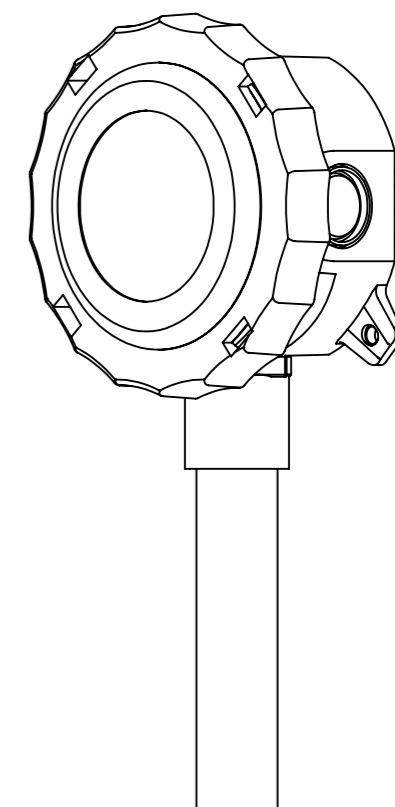
8 7 6 5 4 3 2 1

F

F

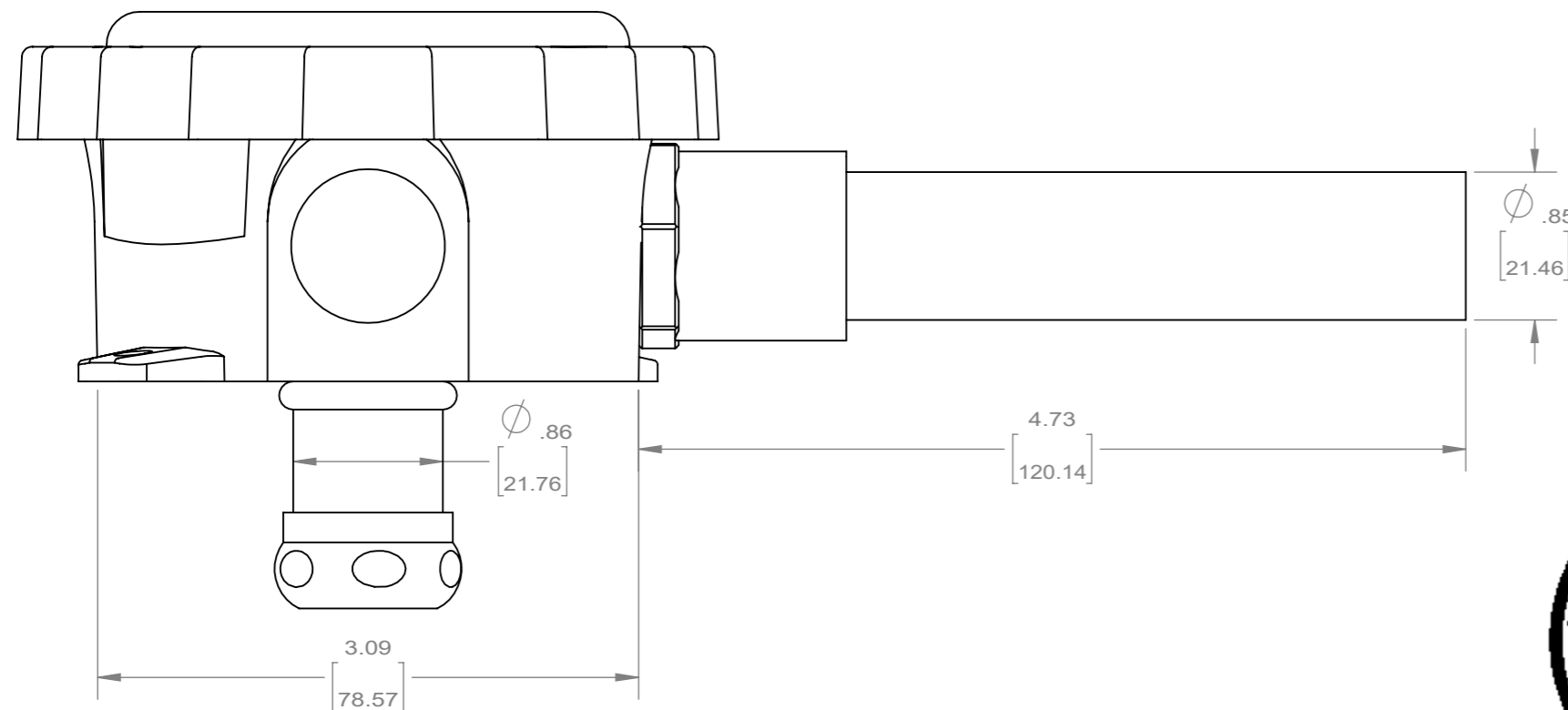


SCALE 1:2



D

D



B

B



DO NOT SCALE DRAWING		NOT FOR MANUFACTURING USE.	
ACI PRODUCT DIMENSIONAL DRAWING: M0000400			
DIMENSIONS ARE FOR REFERENCE ONLY. ALL DIMENSIONS ARE IN INCHES [MILLIMETERS] UNLESS OTHERWISE STATED.	DRAWN BY:	PCA	A3
	DATE:	06/06/2017	
SCALE:1:1		SHEET 1 OF 1	

A

A

8 7 6 5 4 3 2 1