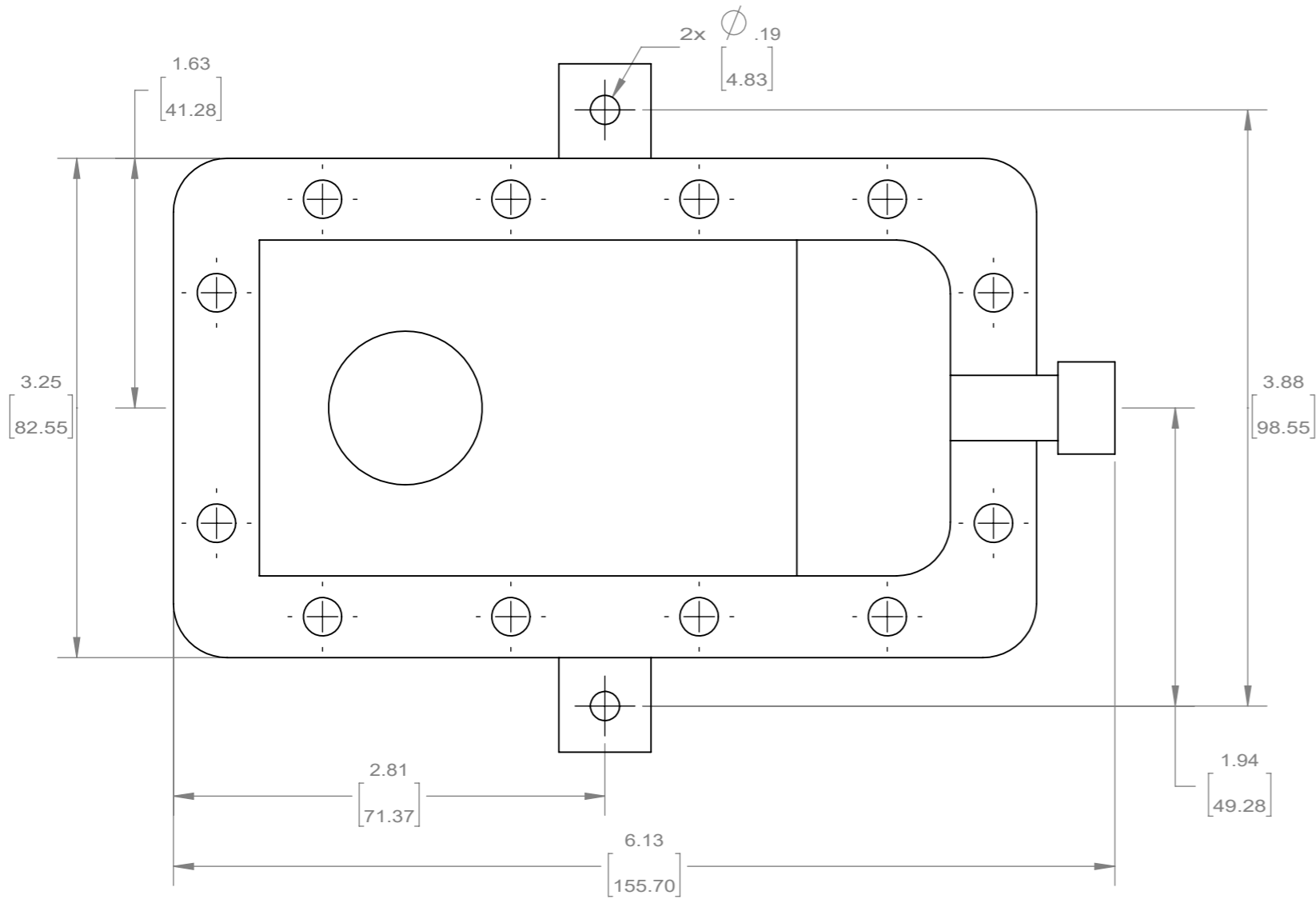


8 7 6 5 4 3 2 1

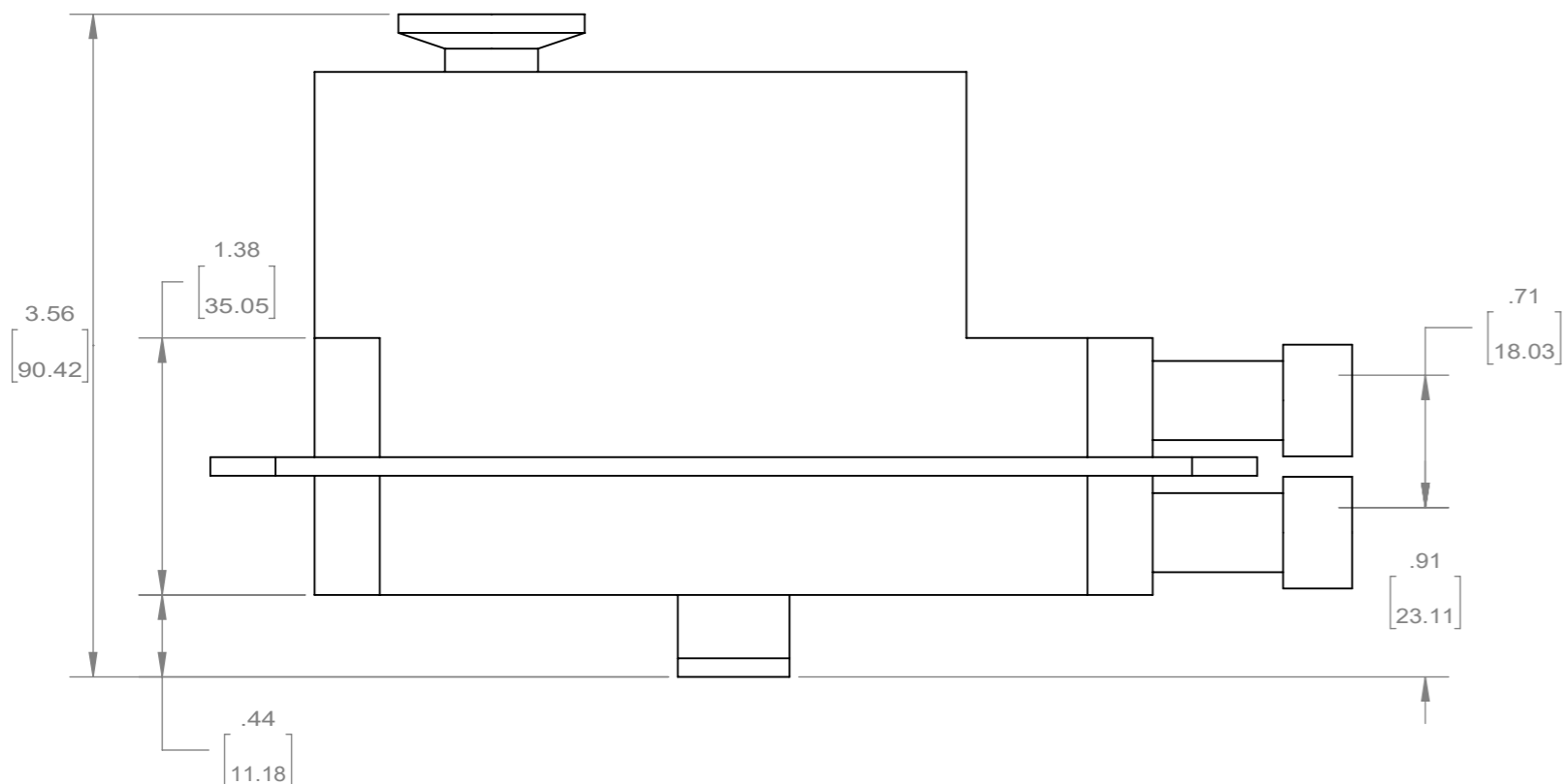
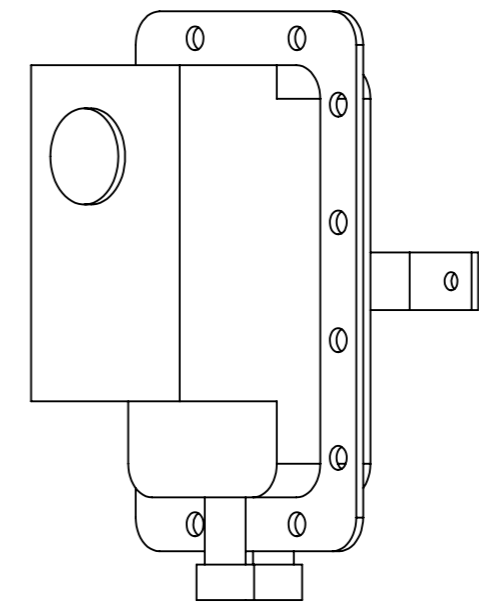
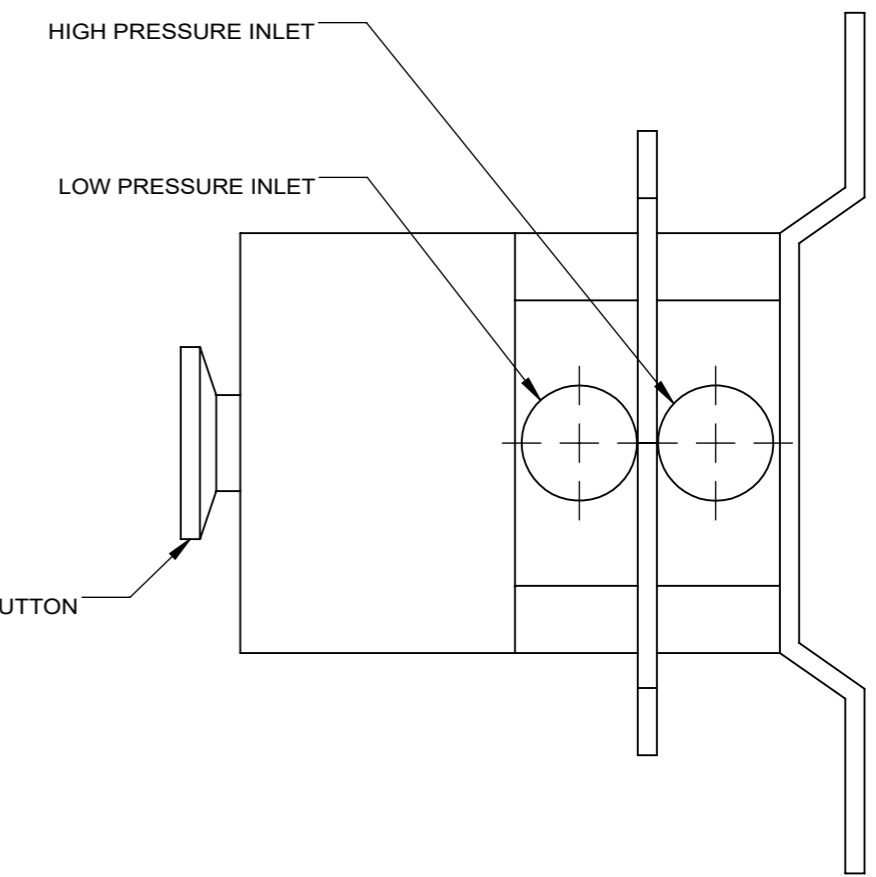
F



HIGH PRESSURE INLET

LOW PRESSURE INLET

RESET BUTTON



DO NOT SCALE DRAWING		NOT FOR MANUFACTURING USE.	
ACI PRODUCT DIMENSIONAL DRAWING: M0000407 AFS 460			
DIMENSIONS ARE FOR REFERENCE ONLY. ALL DIMENSIONS ARE IN INCHES [MILLIMETERS] UNLESS OTHERWISE STATED.		DRAWN BY: PCA	A3
SCALE:1:1		DATE: 06/09/2017	SHEET 1 OF 1

8 7 6 5 4 3 2 1

A

A

B

B

C

C

D

D

E

E

F

F