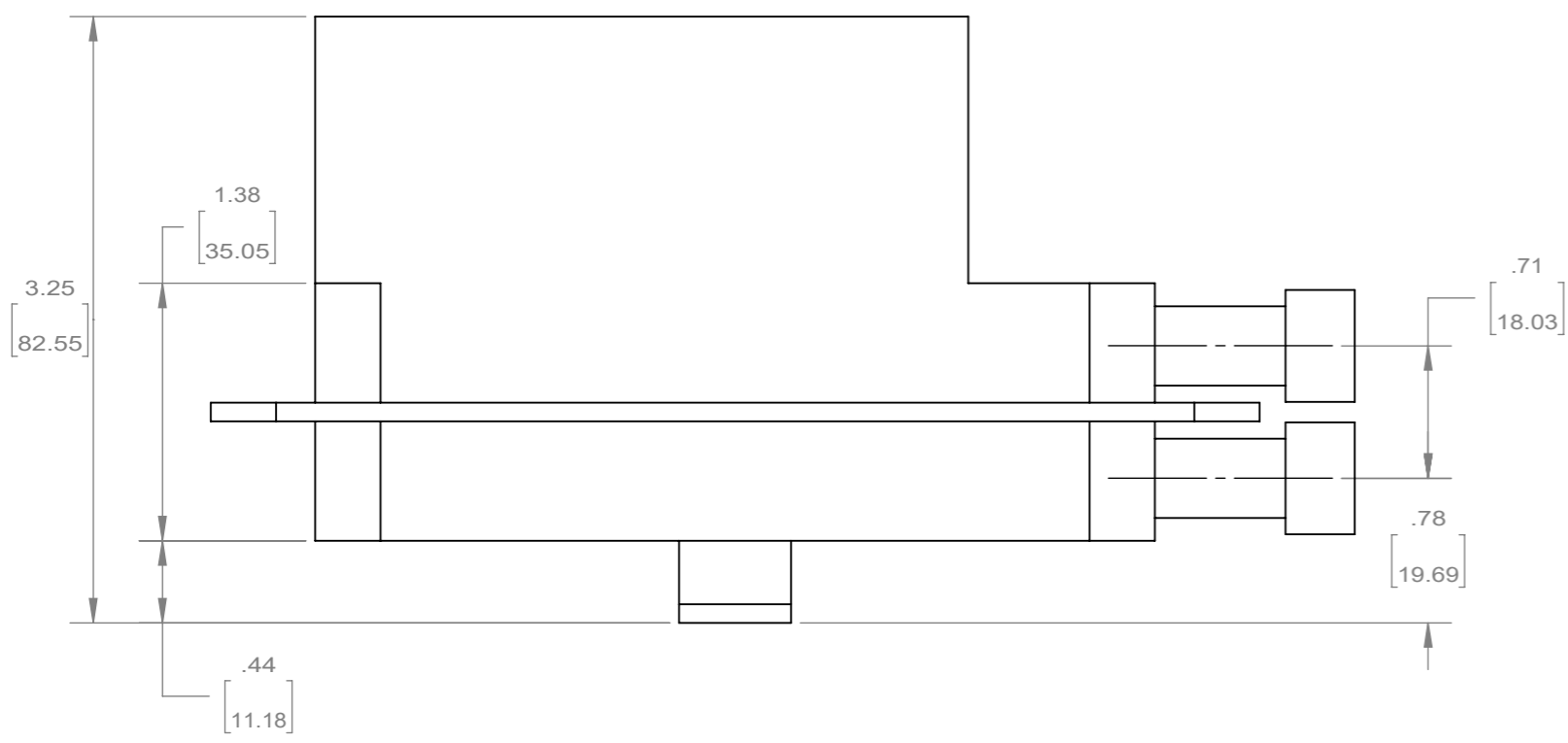
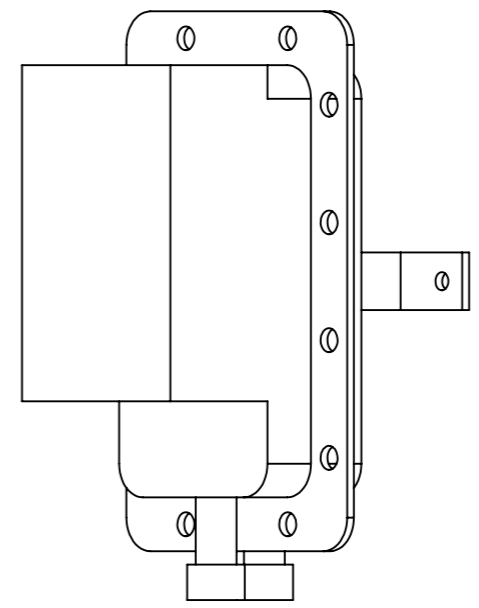
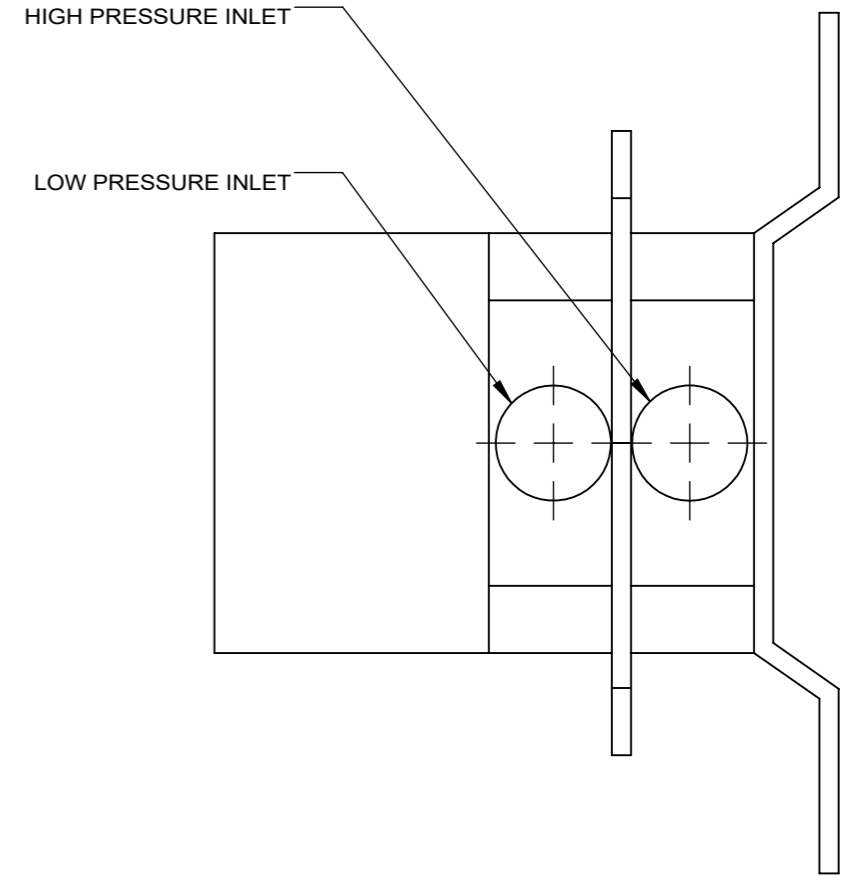
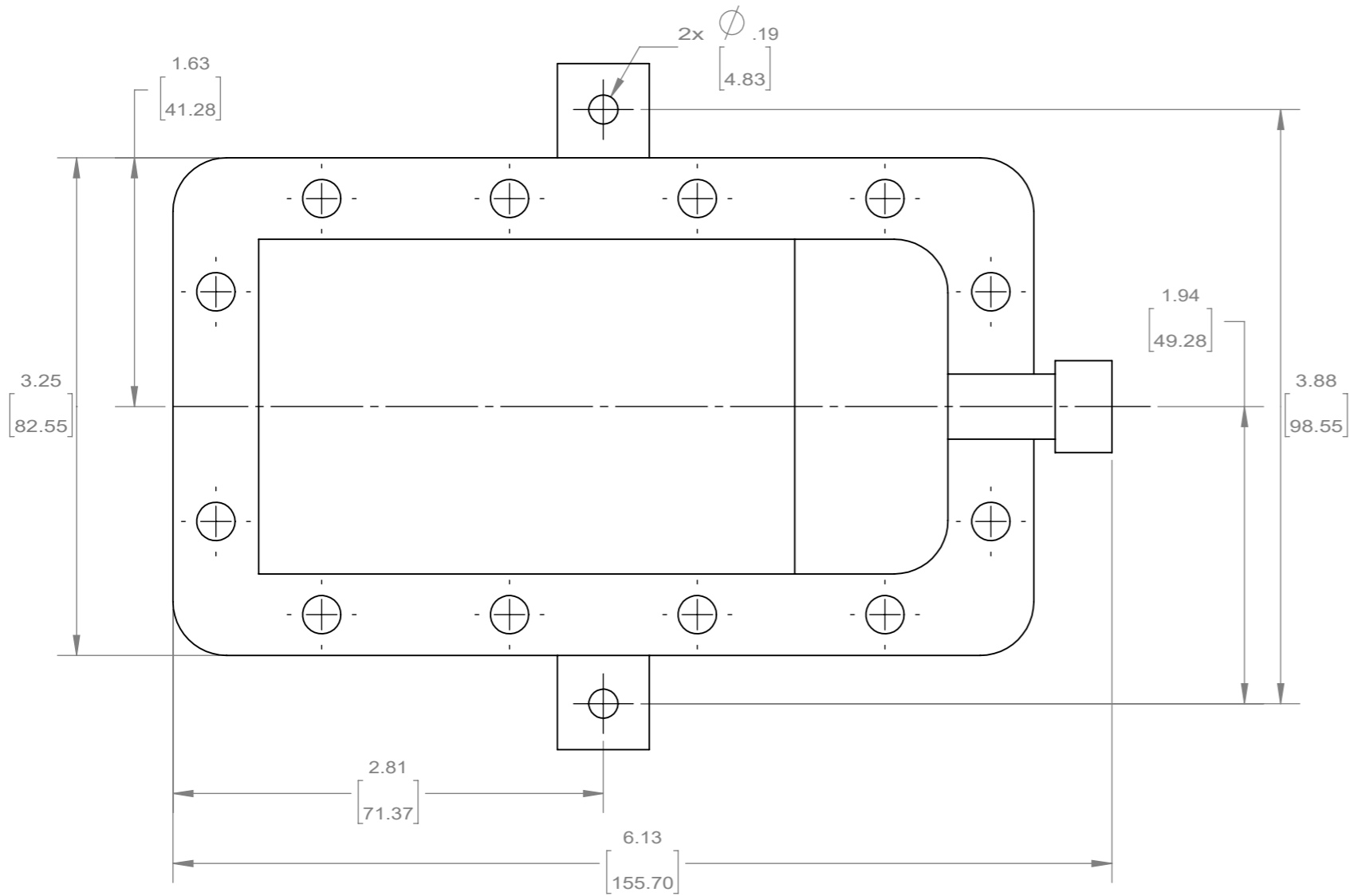


8 7 6 5 4 3 2 1

F

F



DO NOT SCALE DRAWING		NOT FOR MANUFACTURING USE.	
ACI PRODUCT DIMENSIONAL DRAWING:			
M0000406 AFS 262			
DIMENSIONS ARE FOR REFERENCE ONLY. ALL DIMENSIONS ARE IN INCHES [MILLIMETERS] UNLESS OTHERWISE STATED.	DRAWN BY:	PCA	A3
	DATE:	06/09/2017	
SCALE:1:1		SHEET 1 OF 1	

8 7 6 5 4 3 2 1

A

A