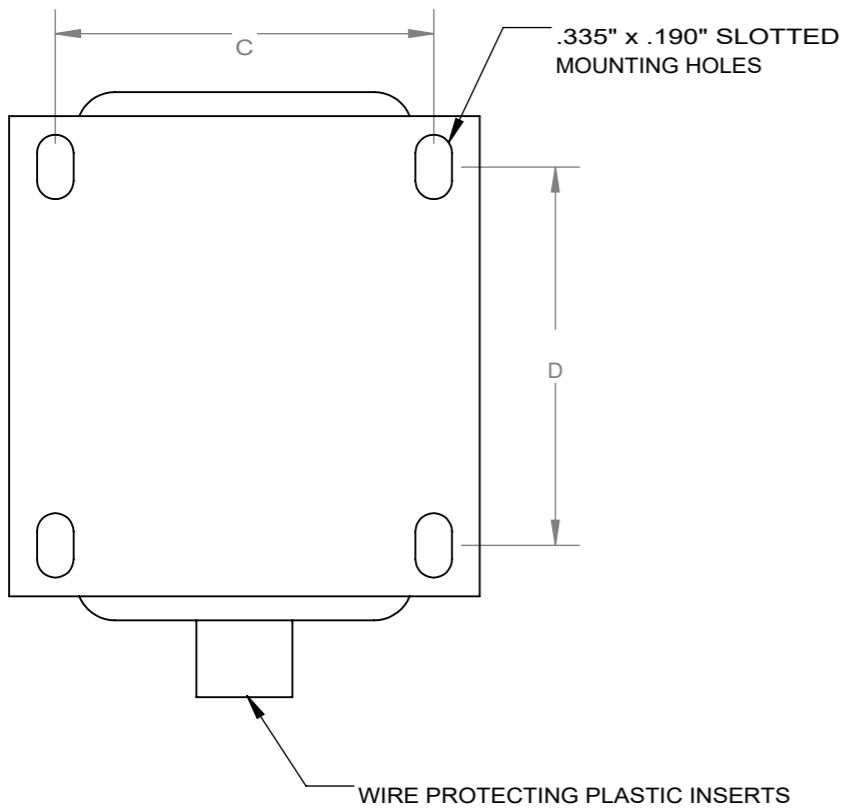
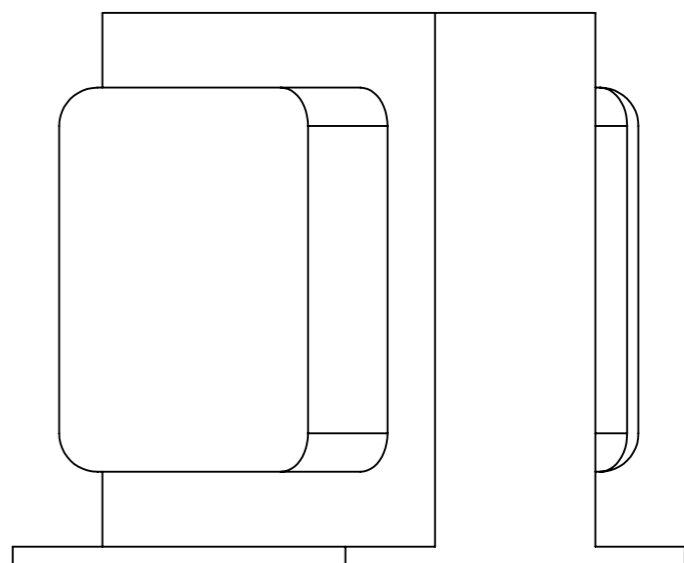
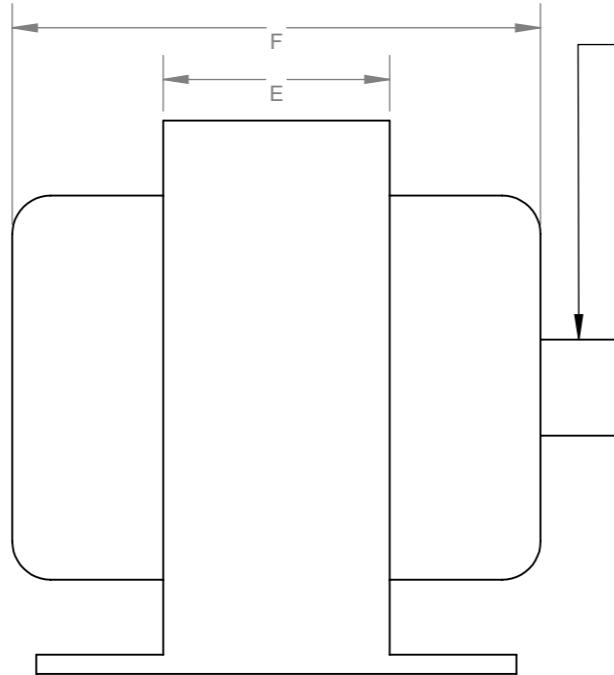
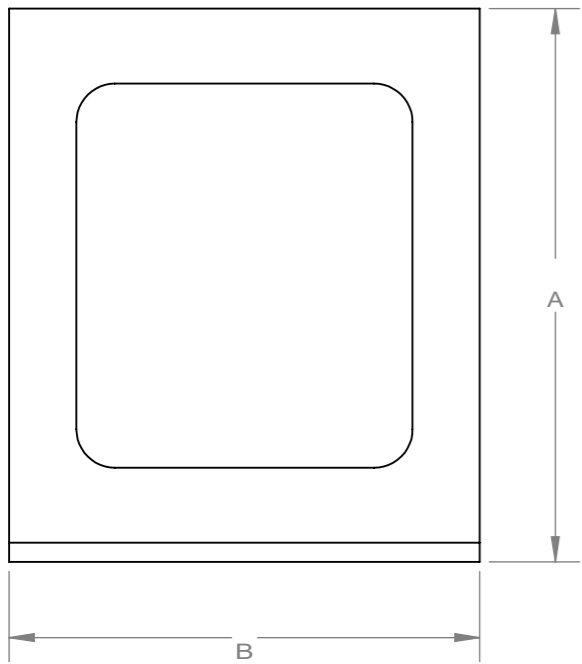


8 7 6 5 4 3 2 1



TRANSFORMERS [DIMENSIONS ARE IN/MM]						
	A	B	C	D	E	F
LE105	2.88/73.15	2.19/55.63	1.97/50.04	1.97/50.04	1.18/29.98	2.75/69.85
LE117	2.90/73.66	2.19/55.63	1.75/44.45	2.00/50.80	1.25/31.75	2.82/71.63
LE118	3.06/77.72	2.52/64.00	2.00/50.80	2.31/58.67	1.67/42.42	3.90/99.06
LE119	3.06/77.72	2.52/64.00	2.00/50.80	2.31/58.67	1.67/42.42	3.90/99.06
LE120	3.06/77.72	2.52/64.00	2.02/51.31	2.55/64.77	1.55/39.37	4.05/102.87
LE124*	3.30/83.82	3.80/96.52	3.23/82.04	2.47/62.74	1.37/37.80	3.47/88.14
LE160*	3.06/77.72	2.52/64.00	2.00/50.80	1.85/47.00	1.26/32.00	3.47/88.14
LE1175	2.92/74.17	2.19/55.63	1.75/44.45	2.03/51.56	1.26/32.00	2.82/71.63
LE1501*	3.04/77.22	2.52/64.00	2.03/51.56	2.31/58.67	1.67/42.42	3.90/99.06
LE15013*	3.06/77.72	2.52/64.00	2.03/51.56	2.35/59.69	1.67/42.42	3.90/99.06

* HAS A RESET TYPE CIRCUIT BREAKER



DO NOT SCALE DRAWING NOT FOR MANUFACTURING USE.

ACI PRODUCT DIMENSIONAL DRAWING:
M0000561

DIMENSIONS ARE FOR REFERENCE ONLY. ALL DIMENSIONS ARE IN INCHES [MILLIMETERS] UNLESS OTHERWISE STATED.	DRAWN BY:	PCA	A3
	DATE:	07/19/2017	
SCALE:1:1		SHEET 1 OF 1	

8 7 6 5 4 3 2 1