

8 7 6 5 4 3 2 1

F

F

E

E

D

D

C

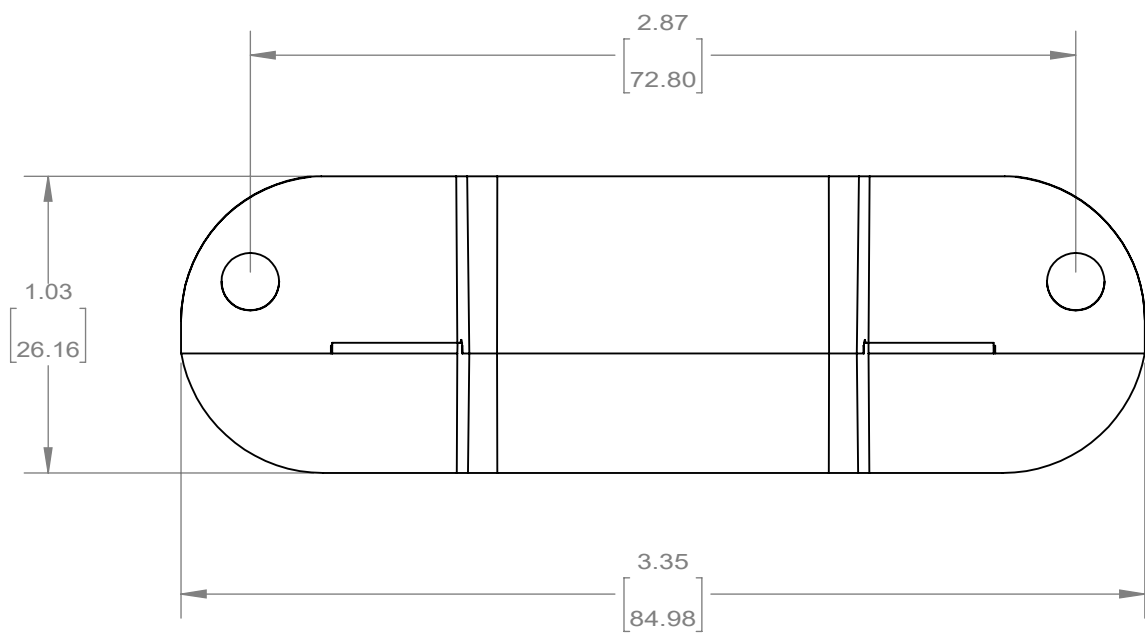
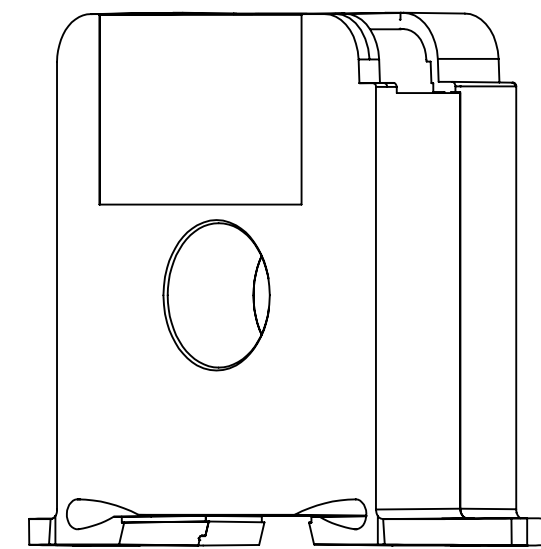
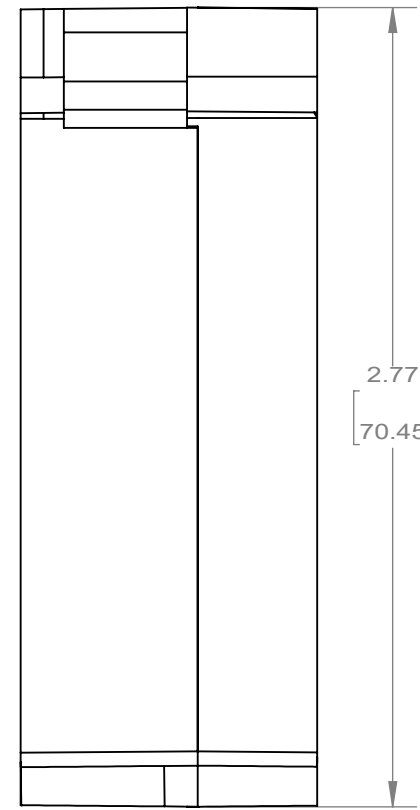
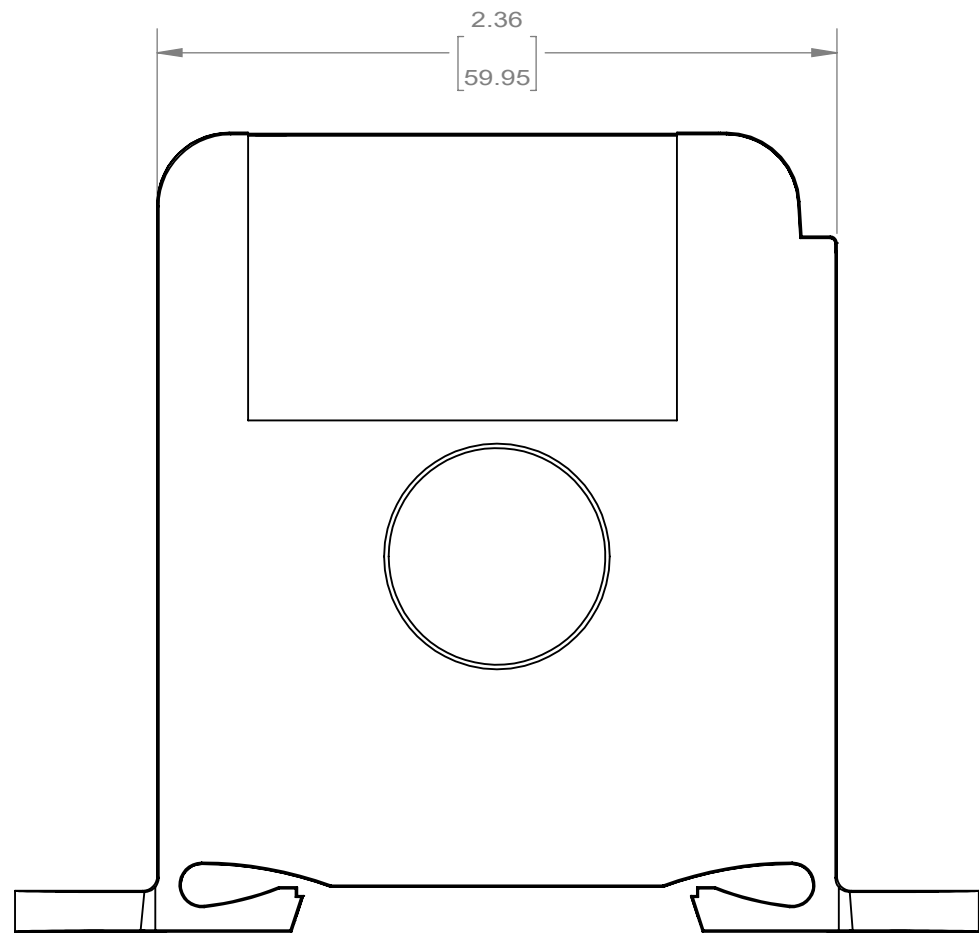
C

B

B

A

A



| | | | |
|--|-----------|----------------------------|----|
| DO NOT SCALE DRAWING | | NOT FOR MANUFACTURING USE. | |
| ACI PRODUCT DIMENSIONAL DRAWING: M0000500 | | | |
| ITEM NUMBER: A/CS2 FIXED | | | |
| DIMENSIONS ARE FOR REFERENCE ONLY. ALL DIMENSIONS ARE IN INCHES [MILLIMETERS] UNLESS OTHERWISE STATED. | DRAWN BY: | PCA | A3 |
| | DATE: | 07/10/2017 | |
| SCALE:1.5:1 | | SHEET 1 OF 1 | |

8 7 6 5 4 3 2 1