



# ACUCT SPLIT CORE

## Standard Accuracy

The Split-Core Current Transformers are designed to convert an AC operating current into a low voltage AC millivolt signal for use with microprocessor-based circuits that require maximum accuracy and precision. These compact and light-weight split-core current transformers are designed for installation on branch circuits within the electrical panel. The Split-Core CT Series is ideal for easy installation without disconnecting cables. Split-Core CTs come standard un-terminated stripped and tinned lead wires for easy connection to any of the Single or 3 Phase ACI power meter. CT models listed here are compatible with the ACI KW350-P1-D-S-SC, KW320-P1-D-W-SC-XX, KW320-P1-D-W-SC-PC, KW1850-P1-D-W, and KW1850-P1-D-S Power Meters where typical power measurements are required. For best accuracy, CTs should be selected based upon the size of the conductors being monitored by selecting the proper window size and referencing the expected maximum and minimum currents for the targeted application. The

acceptable Measurement Current Range is referenced in the ordering grid table. Please contact ACI for more information regarding the Split-Core Current Transformers.

**Applications:** Energy and Demand Metering, Load Surveys, LEED/Green Projects, ROI / Project Justification.

**The Split Core mV Output Current Transformers are covered by ACI's Five (5) Year Limited Warranty. The warranty can be found in the front of ACI's Sensors & Transmitters catalog, as well as on ACI's web site, [workaci.com](http://workaci.com).**

### PRODUCT SPECIFICATIONS

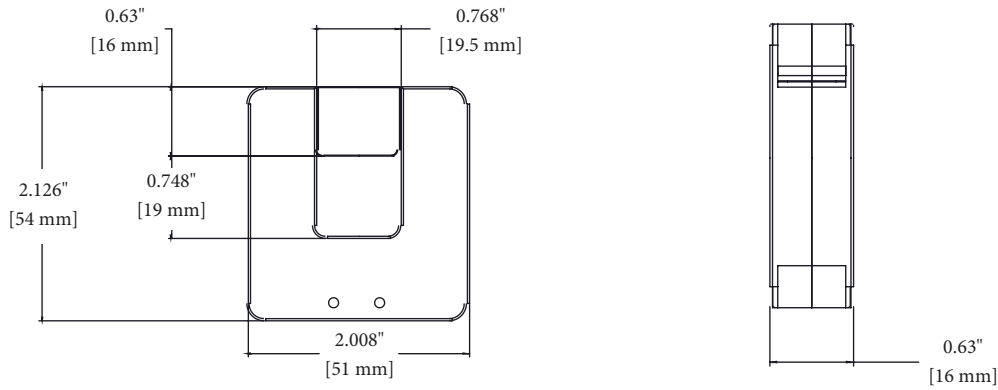
<b>Monitored Current Type:</b>	AC Current
<b>Maximum Working Voltage:</b>	600 VAC, Category III
<b>Core Style:</b>	Split-Core (non-hinged)
<b>Rated Output:</b>	333mV @ 50/100/200/300/400/600/800/1000 Amps (see ordering grid)
<b>Operating Frequency Range:</b>	50/60Hz
<b>Withstand Voltage:</b>	3,000VAC
<b>Sendor Amperage Range:</b>	See Ordering Grid
<b>Accuracy<sup>1</sup>:</b>	0.5% from 10-120% of Rated Current, IEC 60044-1
<b>Operating Temperature Range:</b>	5 to 140°F (-15 to 60°C)
<b>Storage Temperature Range:</b>	-40 to 185°F (-40 to 85°C)
<b>Operating/Storage Humidity Range:</b>	5 to 95%, non-condensing
<b>Maximum Elevation:</b>	9,842 ft (3 Kilometers)
<b>Case Material/Flammability Rating:</b>	Epoxy Encapsulated/UL94V-0
<b>Wiring Connections:</b>	Stripped and Tinned Lead Wires
	<b>White:</b> Positive (+)
<b>Lead Wire Colors:</b>	<b>Black:</b> Negative (-)
	<b>Bare-Shield</b> (Polarity Sensitive)
<b>Wire Size:</b>	22 AWG (0.34 mm <sup>2</sup> ), 600V Rated VW-1, 105°C White/Brown Twisted Pair (UL 1015)
<b>Lead Length:</b>	8.20' (2.5m) or 32.80' (10m) See Ordering Grid
<b>Agency Approvals:</b>	ULR, CE, & RoHS2 Compliant
<b>Product Weight:</b>	<b>AcuCT-075 Series:</b> 0.2lbs (0.09kg) <b>AcuCT-125 Series:</b> 0.3lbs (0.14kg) <b>AcuCT-200 Series:</b> 0.4lbs (0.18kg)
<b>Product Dimensions (L x W x H):</b>	<b>AcuCT-075 Series:</b> 2.00" (50.80 mm) x 2.09" (53.30 mm) x 0.669" (17.00 mm) <b>AcuCT-125 Series:</b> 3.25" (82.50 mm) x 3.35" (85.10 mm) x 1.02" (26.00 mm) <b>AcuCT-200 Series:</b> 4.76" (121.00 mm) x 5.00" (127.00 mm) x 1.18" (30.00 mm)

**Note 1:** For maximum performance, make sure the core contacts are wiped clean and free of debris.

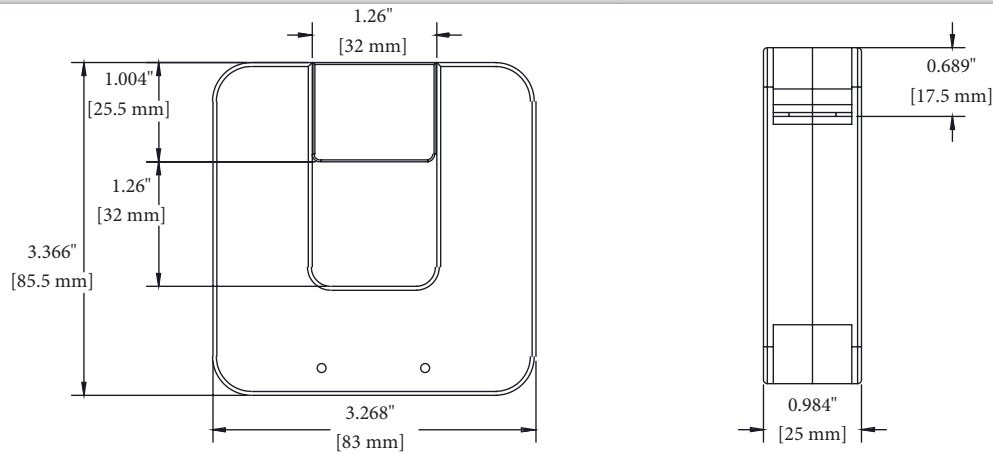


**DIMENSIONAL DRAWING**

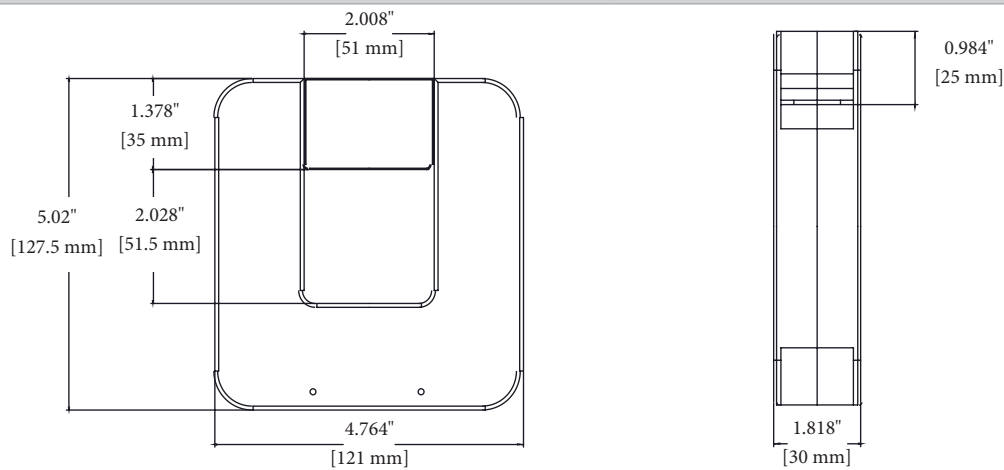
**AcuCT-075**



**AcuCT-125**



**AcuCT-200**



**FRONT VIEW**

**SIDE VIEW**



## ORDERING INFORMATION

Model #	Item #	Rated Current	Window Size	Output Signal (At Rated Current)	Lead Length
AcuCT-075-50:333	148170	50A	0.75" (19.05 mm)	333 mV @ 50A	8 ft (2.5m)
AcuCT-075-100:333	148171	100A	0.75" (19.05 mm)	333 mV @ 100A	8 ft (2.5m)
AcuCT-125-200:333	148173	200A	1.25" (31.75 mm)	333 mV @ 200A	8 ft (2.5m)
AcuCT-125-300:333	148174	300A	1.25" (31.75 mm)	333 mV @ 300A	8 ft (2.5m)
AcuCT-125-400:333-10M	148175	400A	1.25" (31.75 mm)	333 mV @ 400A	32 ft (10m)
AcuCT-125-400:333	148176	400A	1.25" (31.75 mm)	333 mV @ 400A	8 ft (2.5m)
AcuCT-125-600:333	148177	600A	1.25" (31.75 mm)	333 mV @ 600A	8 ft (2.5m)
AcuCT-200-600:333	148192	600A	2.00" (50.80 mm)	333 mV @ 600A	8 ft (2.5m)
AcuCT-200-800:333	148193	800A	2.00" (50.80 mm)	333 mV @ 800A	8 ft (2.5m)
AcuCT-200-1000:333	148208	1000A	2.00" (50.80 mm)	333 mV @ 1000A	8 ft (2.5m)

