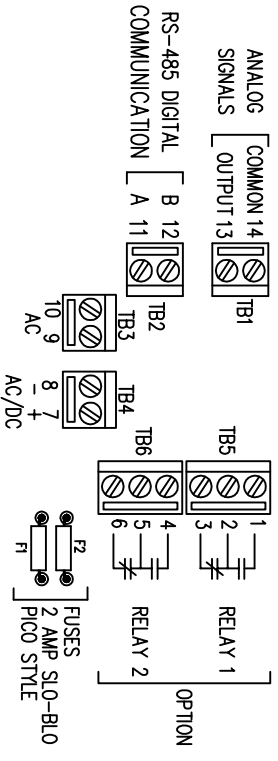


Sensor Selection Table

| Code | Gas              | Symbol | Ranges                |                      |               | Mounting Heights             |
|------|------------------|--------|-----------------------|----------------------|---------------|------------------------------|
|      |                  |        | Signal Range Standard | Signal Range Maximum | Display Range |                              |
| 130  | Oxygen           | O2     | 25%                   | 25%                  | 25%           | 4-6 Ft (1.5-2m)              |
| 150  | Nitrogen Dioxide | NO2    | 6 PPM                 | 10 PPM               | 10 PPM        | 0-2 Ft (0-0.5m)              |
| 160  | Carbon Monoxide  | CO     | 125                   | 125                  | 125           | 4-6 Ft (1.5-2m)              |
| 190  | Nitric Oxide     | NO     | 100                   | 100                  | 100           | 4-6 Ft (1.5-2m)              |
| 220  | Ammonia          | NH3    | 50                    | 50                   | 50            | 0-2 Ft (0-0.5m) From Ceiling |

WIRING CONNECTIONS:



| REV |      | DESCRIPTION              |  | DATE     |     | DRN |    | CHK |    | AP/VD |    |
|-----|------|--------------------------|--|----------|-----|-----|----|-----|----|-------|----|
| A   | ---  | FIRST RELEASE            |  | 03-05-29 | YD  | BC  | BC | BC  | BC | BC    | BC |
| B   | 575  | CHANGE OPERATING RANGE   |  | 03-07-30 | YD  | XY  | XY | XY  | XY | XY    | XY |
| C   | 649  | CHANGE OPER. TEMPERATURE |  | 2004/08  | XY  | XY  | XY | XY  | XY | XY    | XY |
| D   | 685  | RS-485 DEFAULT           |  | 05-02-04 | DH  | CG  | CG | DH  | DH | DH    | DH |
| E   | 785  | POTENTIOMETER ADJUSTMENT |  | 06-10-04 | CLG | CLG | XY | XY  | XY | XY    | XY |
| F   | 1029 | CHANGE 2.4" TO 3.4"      |  | 13-08-06 | XY  | XY  | XY | XY  | XY | XY    | XY |

SPECIFICATIONS:

- POWER SUPPLY**  
24 VAC or 24 VDC (Nominal)  
Less than 100 millamps operating  
Allow 250 millamps turn-on surge  
Range: DC: 15 to 40 VDC  
AC: 12 to 28 VAC
- SIGNAL OUTPUT**  
4-20 mA linear  
DR
- OPERATING RANGE**  
2-10 VDC linear  
SEE Sensor Selection Table
- SENSOR**  
Electrochemical sensor
- ENVIRONMENT**  
Temperature: -4°F to 104°F (-20°C to 40°C)  
Humidity: 0 to 99 % Non-Condensing
- SENSOR/TRANSMITTER MOUNTING**  
Wall Mounting:  
Mount holes fit standard Switch Box
- CABLE ENTRY**  
From back of enclosure 94 V-0
- ENCLOSURE**  
ABS Plastic Fire Retardant  
Colour: Pantone - Cool Grey 2U
- WIRE**  
Connectors: Terminal blocks, screw type for lead wire.  
Size: Min. 26 AWG (0.40mm)  
Max. 16 AWG (1.3 mm)
- ALARM OPTION**  
Relays (2) 1 Amp SPDT  
Buzzer

|        |       |           |                               |  |  |  |
|--------|-------|-----------|-------------------------------|--|--|--|
| DRN    | YJUBE | 03-05-131 | QUATROSENSE ENVIRONMENTAL LTD |  |  |  |
| CHK    | YJUBE | 03-05-13  | RICHMOND, ONTARIO, CANADA     |  |  |  |
| DSGN   | YJUBE | 03-05-13  | M-5                           |  |  |  |
| AP/VD  | YJUBE | 03-05-13  | WALL MOUNT                    |  |  |  |
| Q/A    | YJUBE | 03-05-13  | INSTALLATION DRAWING          |  |  |  |
| APPLIC | YJUBE | 03-05-13  | SCALE: B 1D                   |  |  |  |
| SIZE   | YJUBE | 03-05-13  | DWG NO: 83850-002-000         |  |  |  |
| TYPE   | YJUBE | 03-05-13  | REV: F                        |  |  |  |
| FINISH | YJUBE | 03-05-13  | SHEET 1 OF 2                  |  |  |  |

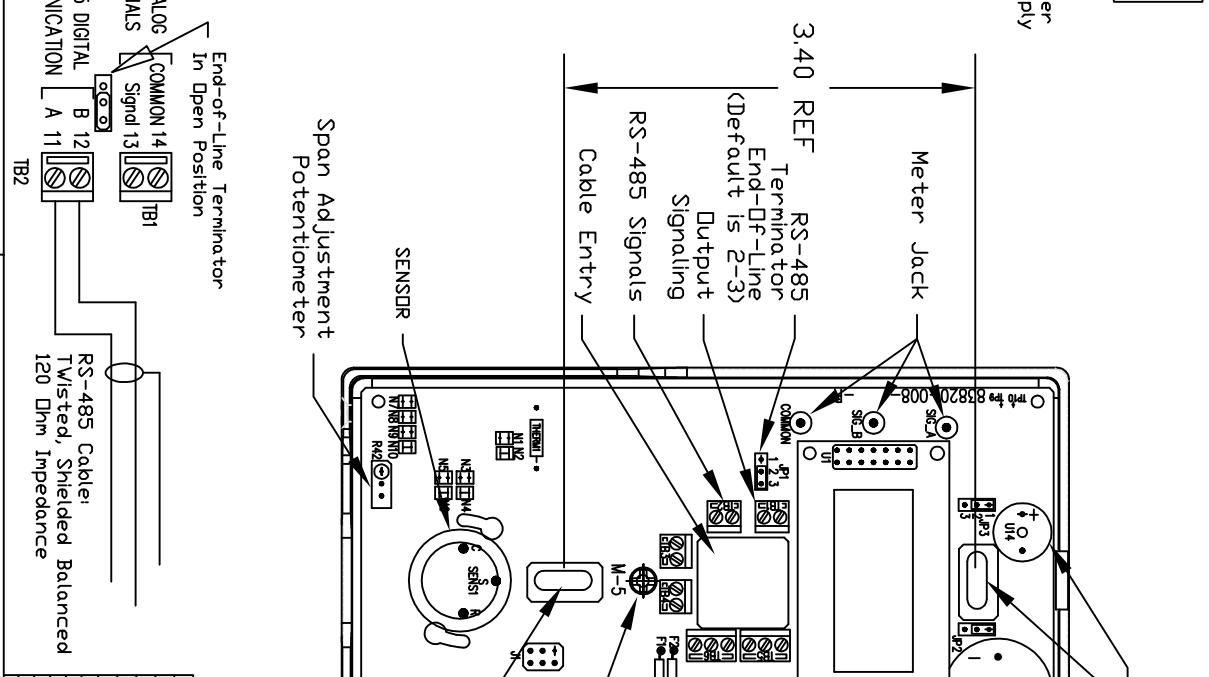
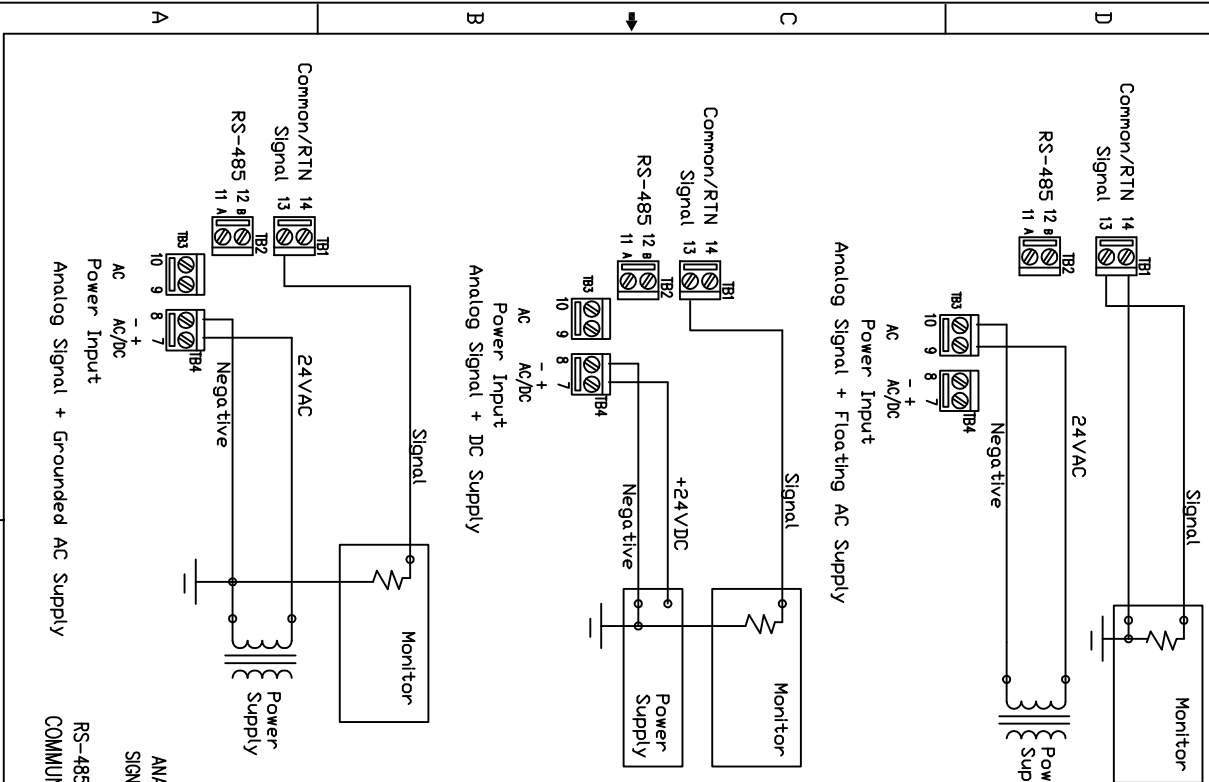
4

3

2

1

| REVISIONS |     |               |      |
|-----------|-----|---------------|------|
| REV       | ECD | DESCRIPTION   | DATE |
| ALL       | --- | SEE SHEET ONE |      |



|                      |          |                               |
|----------------------|----------|-------------------------------|
| DRN YJUBE            | 03-05-29 | QUATROSENSE ENVIRONMENTAL LTD |
| CHK                  |          | RICHMOND, ONTARIO, CANADA     |
| DSGN YJUBE           | 03-05-29 |                               |
| APP'VD               |          |                               |
| Q.A.                 |          |                               |
| APPLICATION          |          |                               |
| M-5                  |          |                               |
| WALL MOUNT           |          |                               |
| INSTALLATION DRAWING |          |                               |
| SIZE                 | B        | TYPE                          |
| SCALE                | 1:1      | DWG NO                        |
|                      |          | 83850-002-000                 |
|                      |          | REV                           |
|                      |          | F                             |
|                      |          | SHEET 2 OF 2                  |

1 2 3 4

A B C D