



# DAISY POWER & RS-485 TO B5

24VAC/VDC+ ●

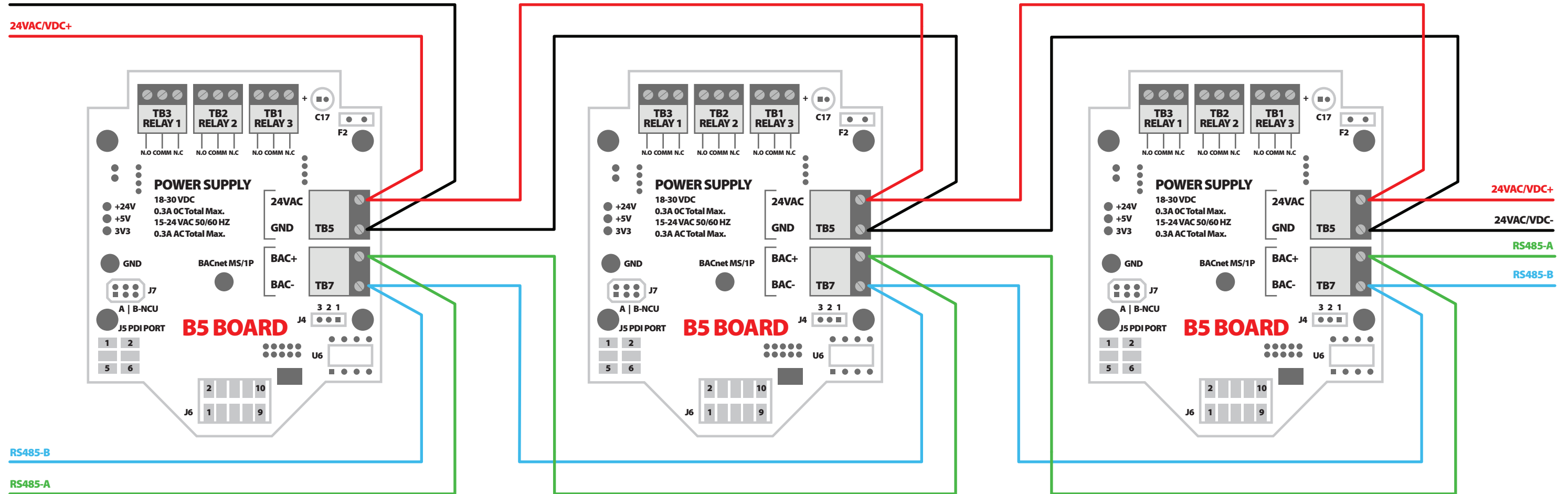
24VAC/VDC- ●

RS485-A ●

RS485-B ●

24VAC/VDC-

24VAC/VDC+



RS485-B

RS485-A



**B5 SERIES**



**B5 SERIES**



**B5 SERIES**