



# CO DUCT

## Carbon Monoxide Duct Sensor

The CO Duct Series monitors carbon monoxide (CO) levels and is designed for the continuous monitoring of vehicle exhaust in non-hazardous areas. This series uses a wide spectrum, long life electrochemical sensor to measure the amount of carbon monoxide in the environment. It is offered with an operating range of 0 to 125 ppm. Duct CO transmitters are offered in a standard NEMA 1 rated ABS Polycarbonate plastic enclosure. Other options include an LCD display with (2) SPDT Form 1C relays and a buzzer. Refer to all applicable Federal, State, Provincial and Local Health and Safety laws and regulations before using these products. **CO-D is not compatible with the Q4C II, M-Controller2, or Q-Controller. Not compatible with Modbus RTU communication.**

**Applications:** Parking Garages, Arenas, Kitchens, Laundry Rooms, Warehouses, Loading Docks, Service Garages, School Bus Parking Areas

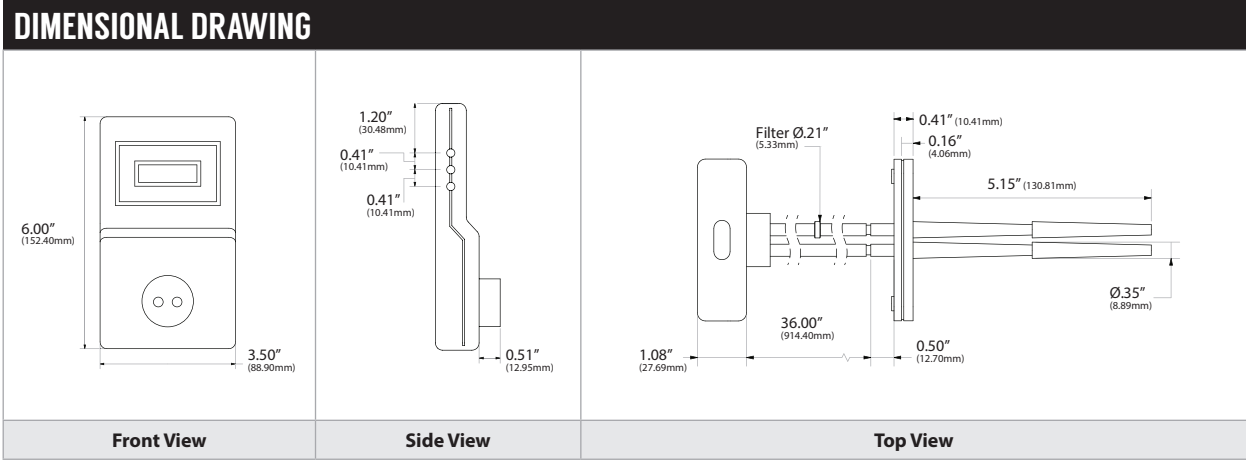
The CO Duct Series Gas Transmitters are covered by ACI's Two (2) Year Limited Warranty against defects in material and workmanship from the date of shipment with the exception of the Sensor Modules (Electrochemical/Toxic: Six Months and Catalytic/Combustible: One Year). The warranty can be found in the front of ACI's Sensors & Transmitters catalog, as well as on ACI's website, [workaci.com](http://workaci.com).

### PRODUCT SPECIFICATIONS

<b>Supply Voltage:</b>	24 VAC +/- 10% Floating; 24 VAC +/- 10%, One side Grounded; 24 VDC
<b>Supply Current:</b>	100 mA nominal   250 mA maximum
<b>Power Usage:</b>	6.6 Watts maximum
<b>Operating Temperature:</b>	-4°F to 104°F (-20°C to 40°C)
<b>Operating Humidity:</b>	15 to 90% RH Continuous, non-condensing; 0 to 99% RH Intermittent, non-condensing
<b>Accuracy:</b>	+/- 2.5% of Reading
<b>Repeatability:</b>	+/- 1% of Reading
<b>Operating Pressure:</b>	1 Atmosphere (14.7 psi) +/- 10%
<b>Response Time:</b>	Less than 60 Seconds for 90% of step change
<b>Sensor Type:</b>	Electrochemical
<b>Sensor Life:</b>	~ 5 years under Normal Conditions
<b>Factory Set:</b>	0 – 125 ppm / 0 – 250 ppm Field Adjustable
<b>Indicators:</b>	Alphanumeric – 2 line X 8 digit LCD / (2) Red LED's for Relay Status
<b>Analog Outputs:</b>	4-20 mA or 2-10V Jumper Selectable
<b>Relay &amp; Buzzer (Optional):</b>	Two SPDT Form C, Dry Contact, 1A @ 30 VDC/0.5A @ 125 VAC (Resistive Load), Buzzer Rating 85 dB @ one foot
<b>Relay Life Expectancy:</b>	200,000 cycles minimum with 1A @ 30 VDC
<b>Time Delays:</b>	<b>Actuation / De-Actuation:</b> 0 to 60 Minutes in 5 minute Increments
<b>Storage:</b>	32° to 68°F (0°C to 20°C)
<b>Shelf Life:</b>	6 Months from date of purchase
<b>Duct Kit Tubing Material:</b>	Vinyl
<b>Duct Kit Tubing Length:</b>	18"
<b>Duct Kit In-Line Filter:</b>	5 micron
<b>Duct Kit Pitot Tube:</b>	3 5/32", Polycarbonate/ABS Blend / UL94V
<b>Enclosure:</b>	Polycarbonate/ABS Blend, UL94V-0
<b>Terminal Blocks:</b>	Fixed, Power wiring: 16 to 26 AWG (0.2 to 1.00 mm <sup>2</sup> ) Shielded Twisted Pair
<b>Terminal Block Torque Rating:</b>	0.37 ft-lbs (0.5n-3m) Nominal
<b>Product Dimensions:</b>	(H) 6.00" (152.4 mm) x (W) 3.5" (88.9 mm) x (D) 1.6" (40.6 mm)
<b>Product Weight:</b>	1.00 lbs (0.45 kg)

**Note:** Sensors and system should be scheduled to be tested for accuracy and functionality every 6 months for toxic, and every 3 months for combustible | Recalibrate or replace sensor boards if necessary | When installed @ > 3000' above sea level, the gas transmitters must be verified for accuracy & re-calibrated as needed after installation





### STANDARD ORDERING

Model #	Item #	Description
CO-D	102147	CO Duct Mount, Standard Enclosure
CO-D-RB-D	107557	CO Duct Mount with Display, Relay, Buzzer, Standard Enclosure

### ACCESSORIES ORDERING

Model #	Item #	Description
83830-020-000	127649	Calibration Adapter
6300-0041	134187	Replacement CO Sensing Element
CUSTOM CAL KIT*	148426	Gas Cal Kit

**Note\*:** Refer to GAS CAL KIT data sheet for specific's