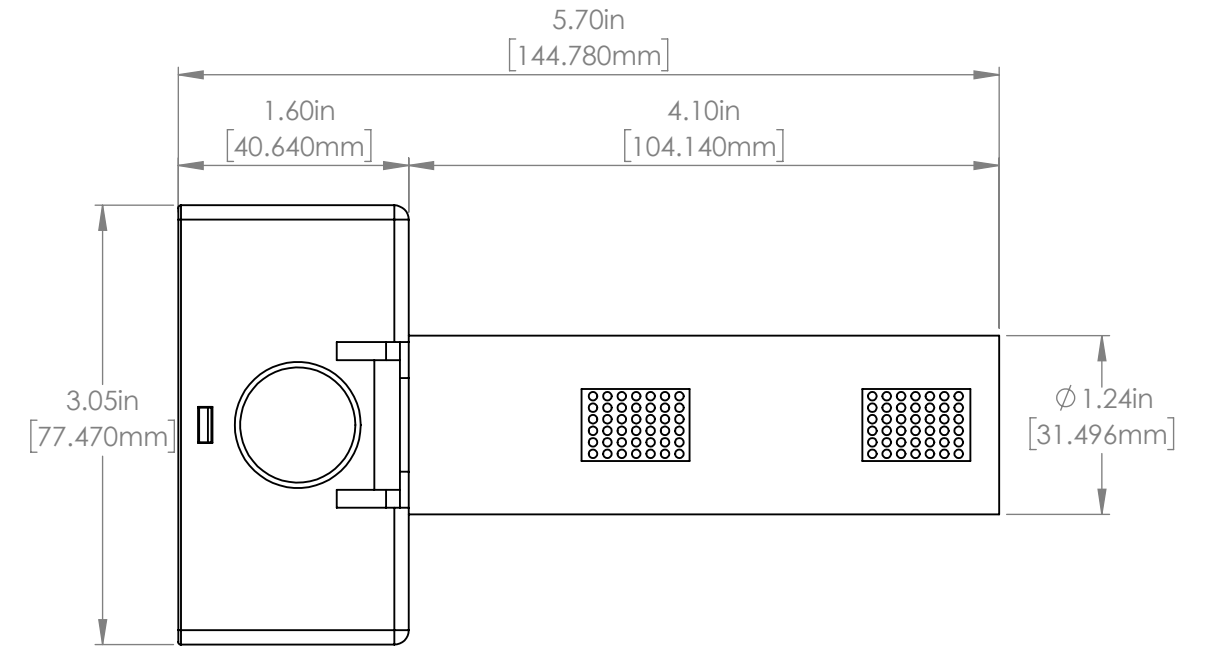
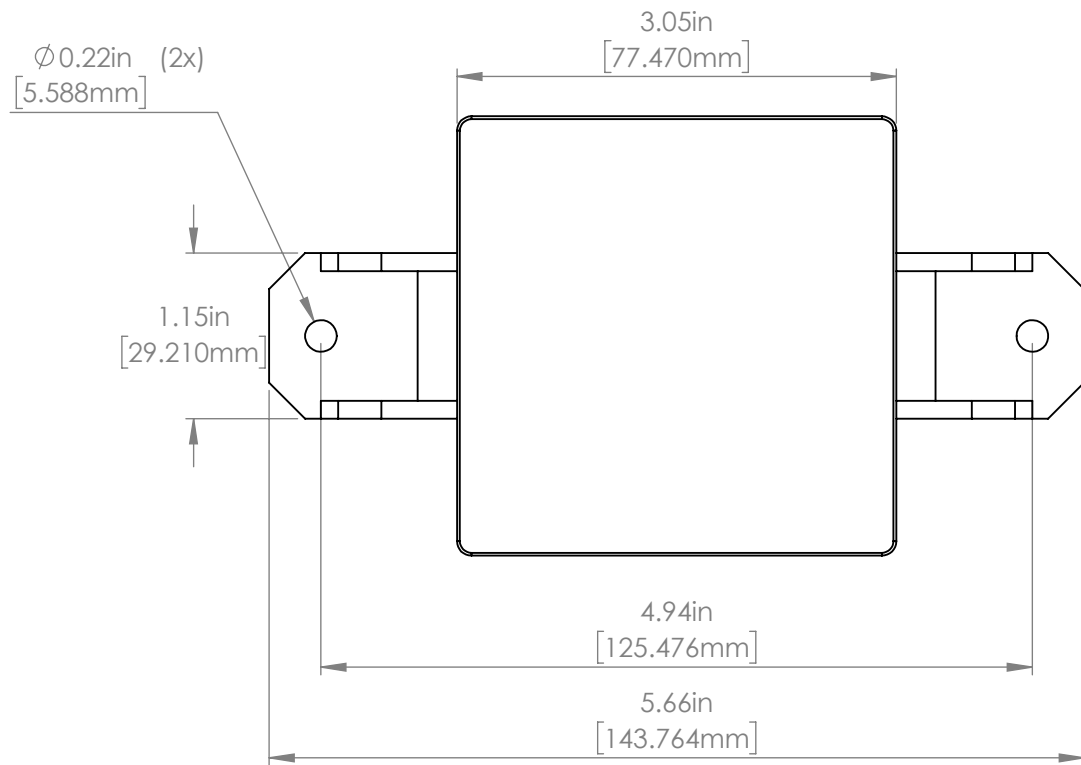
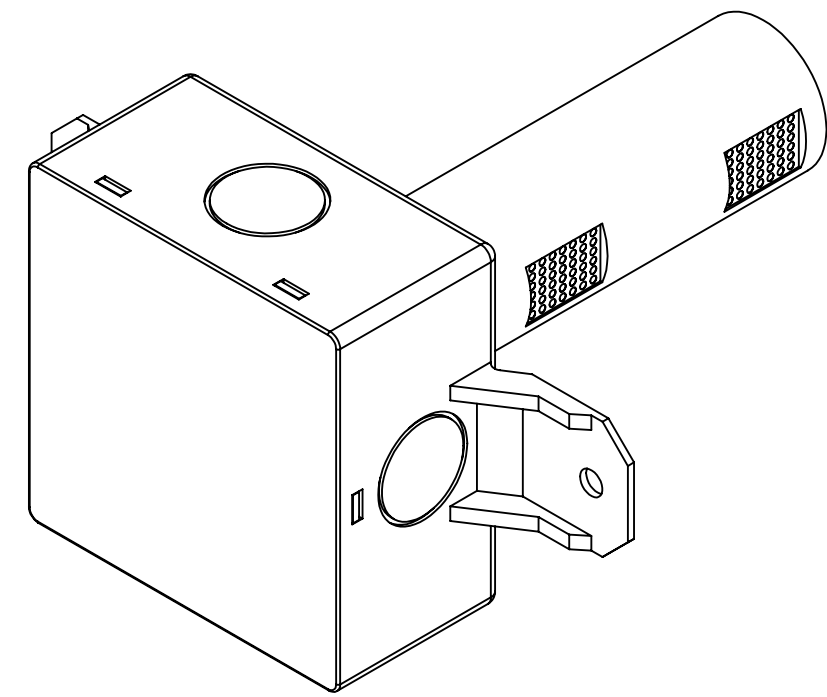


1/2" NPT Conduit Knockouts (4x)



UNLESS OTHERWISE SPECIFIED: DIMENSIONS ARE IN MILLIMETERS SURFACE FINISH: TOLERANCES: LINEAR: ANGULAR:				FINISH:		DEBURR AND BREAK SHARP EDGES		DO NOT SCALE DRAWING		REVISION 2	
DRAWN Benton				SIGNATURE		DATE 7/17/2018		TITLE: A/CO2-010-D (Carbon Dioxide, 0-10 VDC, Duct)			
CHK'D				MFG		MATERIAL:		DWG NO. M0000122		A3	
APPV'D				Q.A		WEIGHT:		SCALE:3:4		SHEET 1 OF 1	