

8 7 6 5 4 3 2 1

F

F

E

E

D

D

C

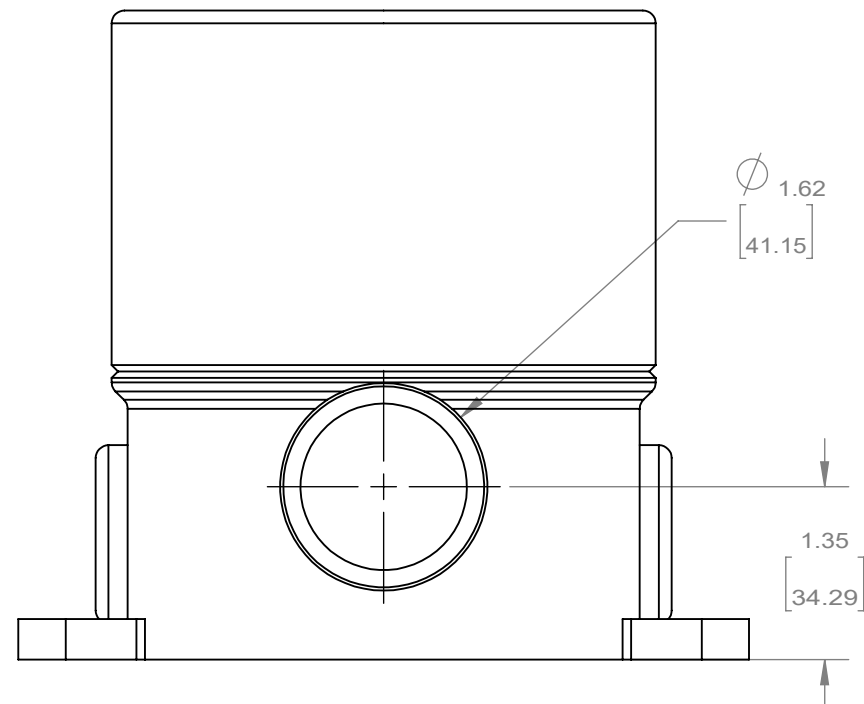
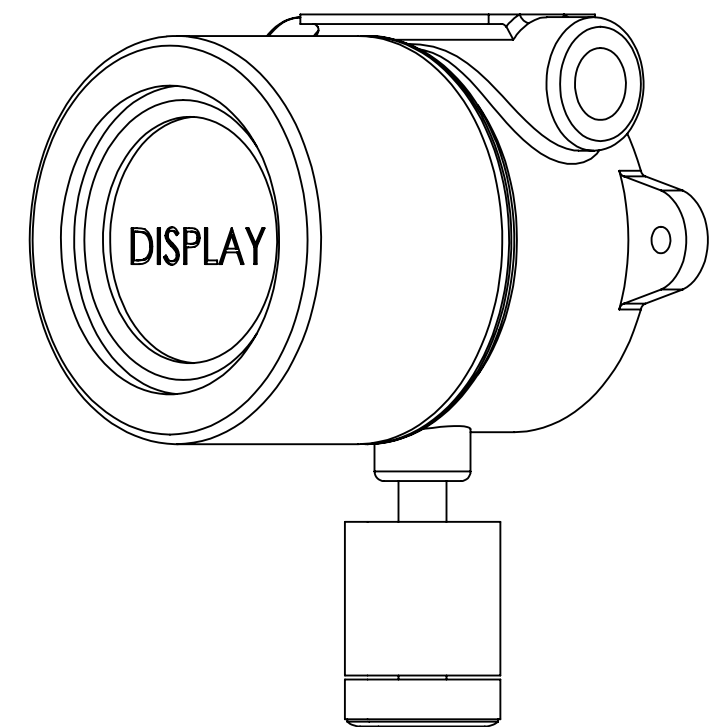
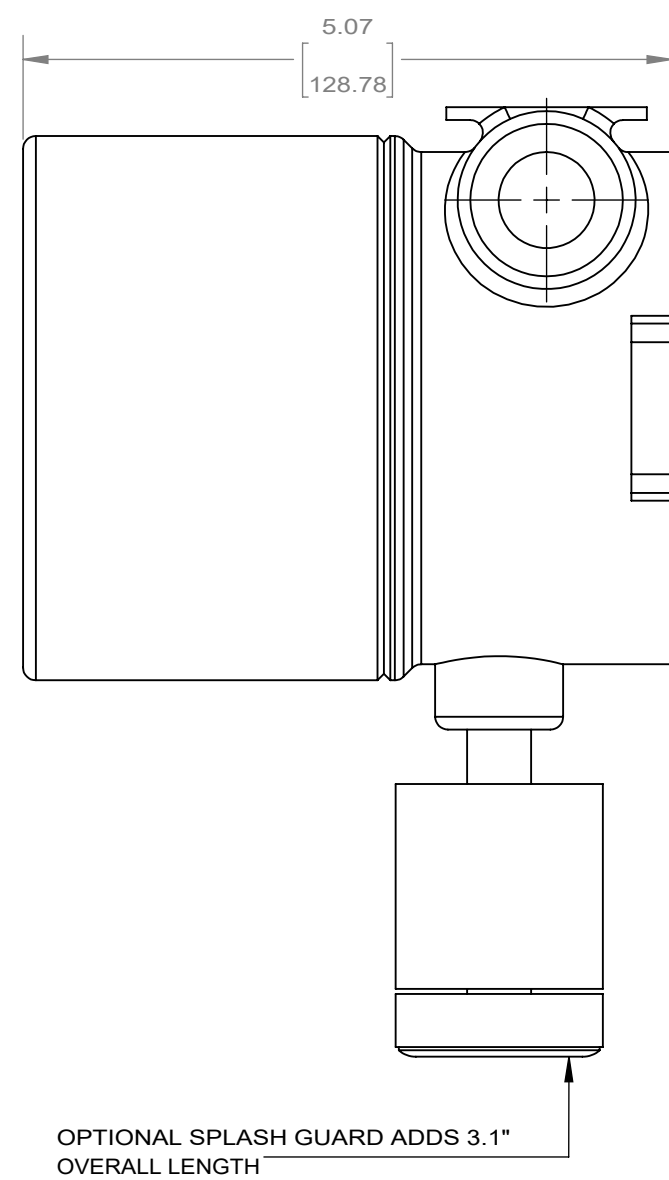
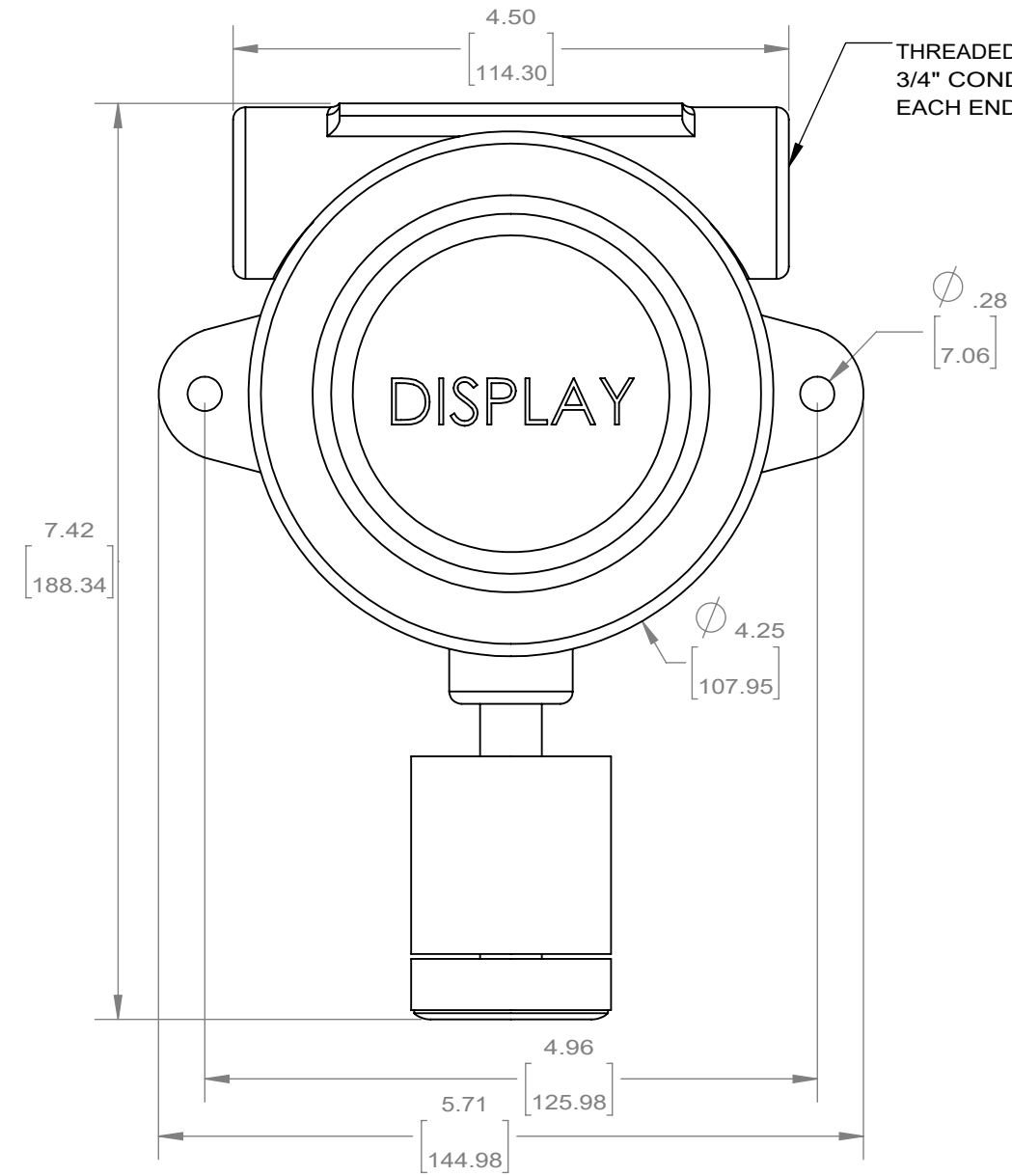
C

B

B

A

A



DO NOT SCALE DRAWING		NOT FOR MANUFACTURING USE.	
ACI PRODUCT DIMENSIONAL DRAWING: M0000443 Q8			
DIMENSIONS ARE FOR REFERENCE ONLY. ALL DIMENSIONS ARE IN INCHES [MILLIMETERS] UNLESS OTHERWISE STATED.		DRAWN BY: PCA	A3
SCALE: 1:1.5		DATE: 07/26/2017	
			SHEET 1 OF 1

8 7 6 5 4 3 2 1