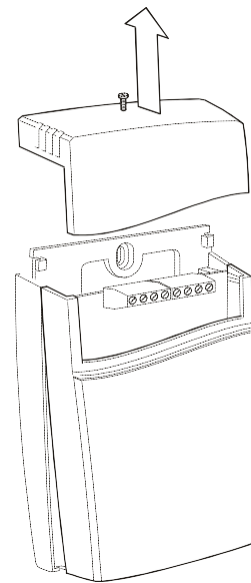
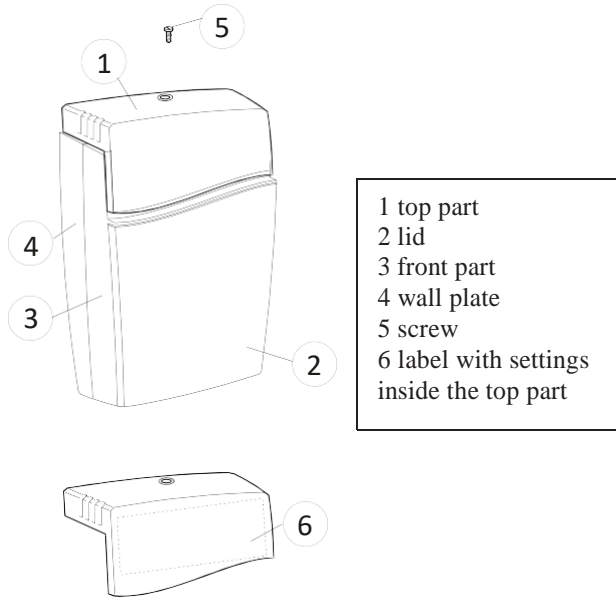


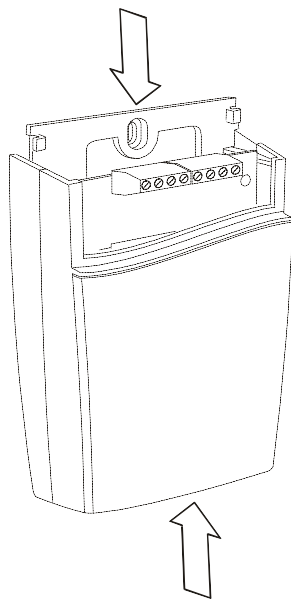


Installation and Operation Instructions aSENSERL

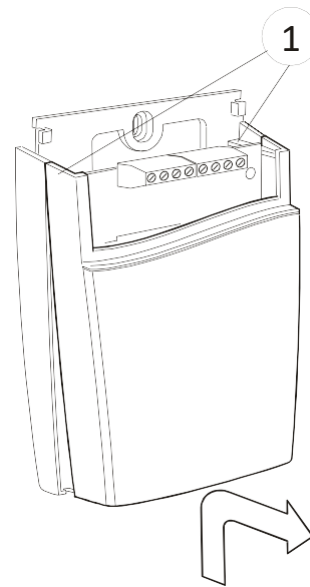
Dismounting of the sensor



Pull the top part upwards

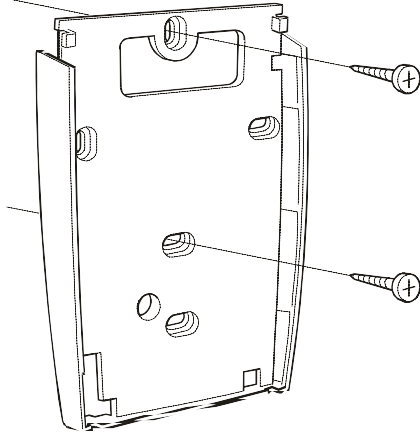


*Push the front part with the lid upwards
while keeping the wall plate steady*

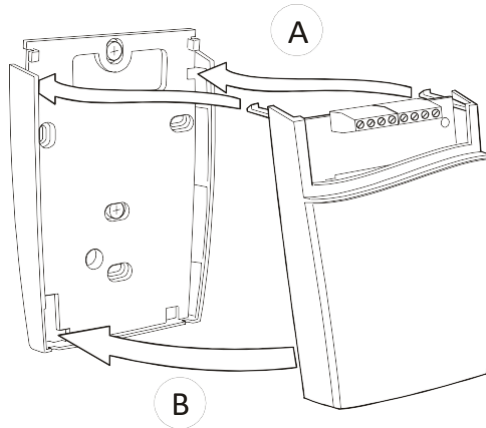


*Fold the front part with the lid forwards
and loose it from the hooks (#1)*

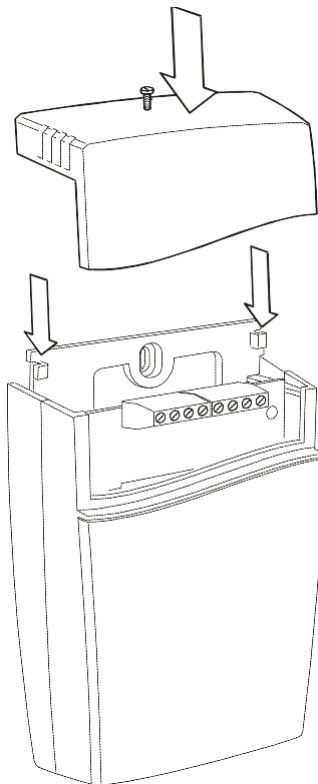
Mounting of the sensor



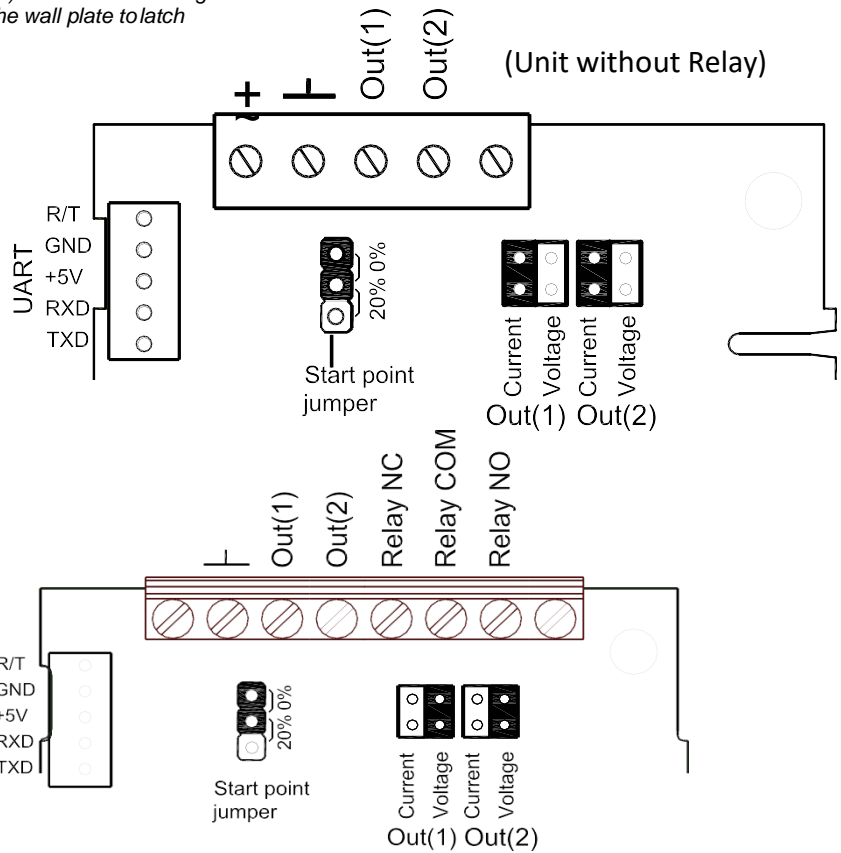
The wall plate is screwed onto the wall
The screw head diameter should be **max 7,5 mm**
The screw head height should be **max 2,5 mm**



(A) Put the top tabs of the front part into the top holes of the wall plate.
(B) Press the lower edge of the case onto the wall plate to latch



The top part is pushed under the locking hooks of the wall plate and is secured with a screw



Terminals and jumpers on aSENSE RL.
The darker positions are default settings.
Terminals and jumpers are located under the top part.

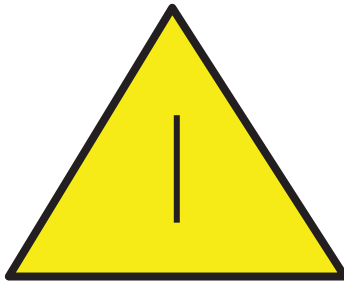


If for some reason the PCB must be removed it must be handled carefully and protected from electrostatic discharge! Normally, removing the PCB is not required.

0

Electrical connections

The power supply has to be connected to \sim and \perp . \perp is considered as system ground. If the analogue output is connected to a controller *the same ground reference must be used for the aSENSE RL unit and for the control system!* Unless different transformers are used, special precautions need to be taken.



PLEASE NOTE! The same ground reference must be used for the aSENSE RL unit and for the control system!

If possible, keep the sensor powered up after mounting. Connect the analogue output before measuring.

Connection Terminal	Function	Electrical Data	Remarks
\sim +	Power (+)	24 VAC/DC+ (+-20%), 3W	2W without output load See note 1!
\perp	Power ground (-)	24 VAC/DC-	
Out(1)	Analogue Output 1 (+)	0-10 VDC or 0-20 mA, 2-10 VDC or 4-20 mA,	According to positions of OUT1 and start point jumpers. See note 2!
Out(2)	Analogue Output 2 (+)	Same as Output 1	According to positions of OUT2 and start point jumpers. See note 2 and 3!
5	Normally closed relay	Contact free relay minimum load 1mA/5V rated load 0.5A/125VAC; 1A/24VDC	Triggered by register Out(3)
6	Relay COM		
7	Normally open relay		
8	Not used		

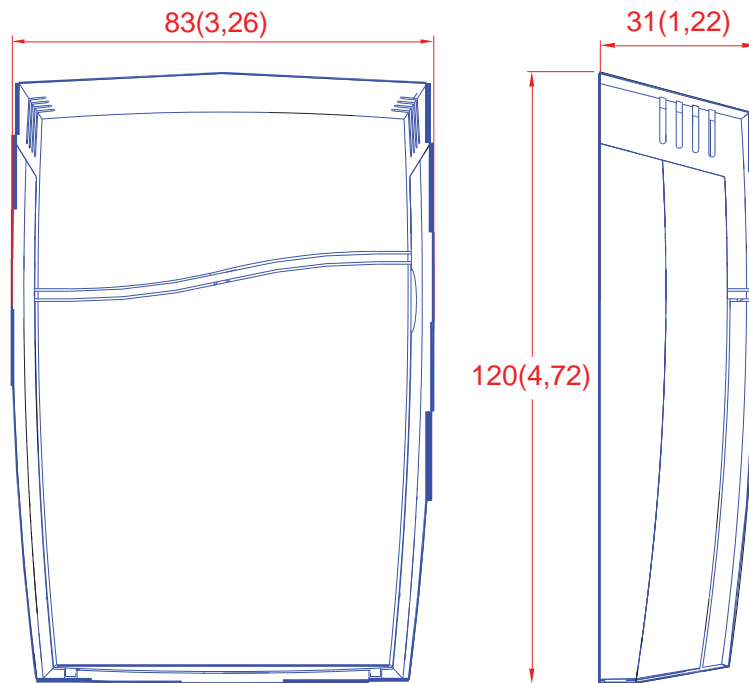
Table I. Electrical terminal connections for aSENSE RL

Note 1: The ground terminal is used as negative power supply DC input or AC phase ground \perp (halfwave rectifier). A single transformer may be used for the entire system.

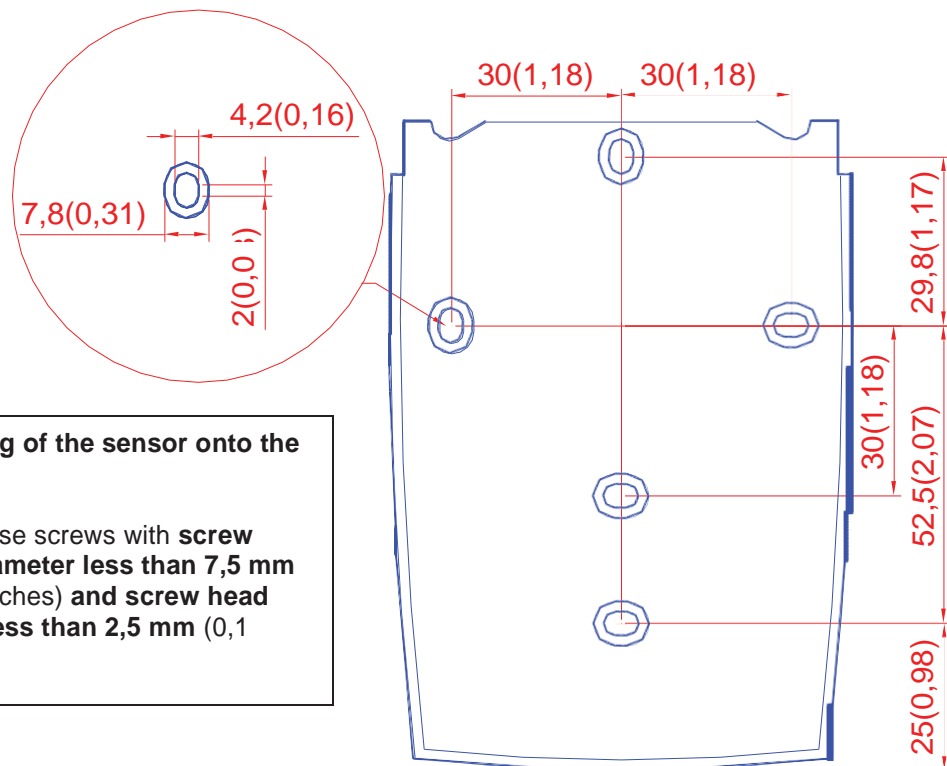
Note 2: aSENSE RL can deliver a voltage or a current loop for Out(1) / Out(2). To change between voltage and current output mode the hardware jumpers are used. There is one jumper for Out(1) and one for Out(2), so that one output can be a voltage output and the other a current output. Both, voltage output and current output can have start points 0 % (0-10 VDC or 0-20mA) or 20% (2-10 VDC or 4-20mA). The same start point is used for both outputs. See the function manual.

Note 3: Please use voltage outputs for temperature measurements. The accuracy of temperature measurements is valid only for units configured in voltage outputs mode.

Dimensions and holes



Dimensions of sensor in mm and (inches)



Mounting of the sensor onto the wall

Please use screws with **screw head diameter less than 7,5 mm** (0,295 inches) and **screw head height less than 2,5 mm** (0,1 inches)

Dimensions of mounting plate in mm and (inches)