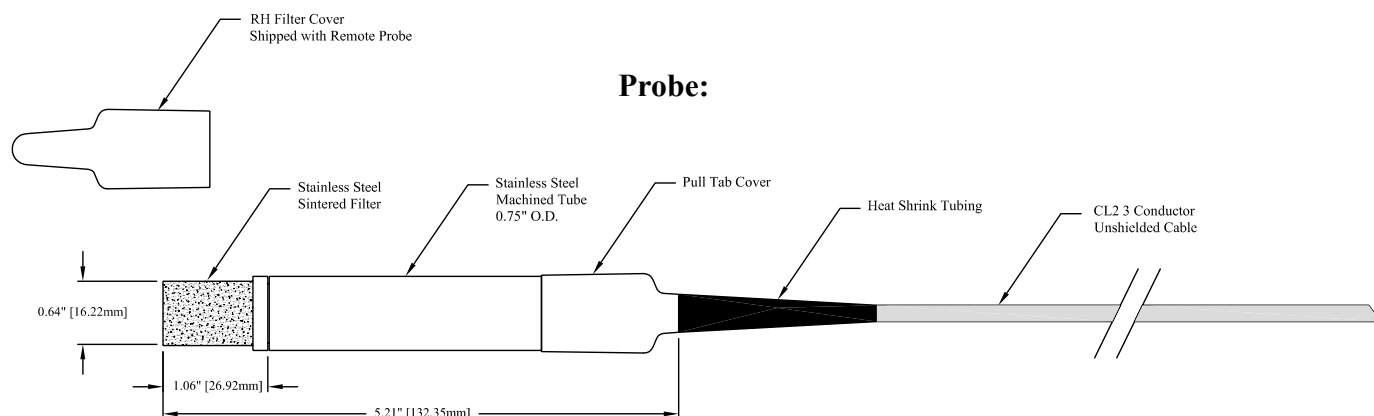
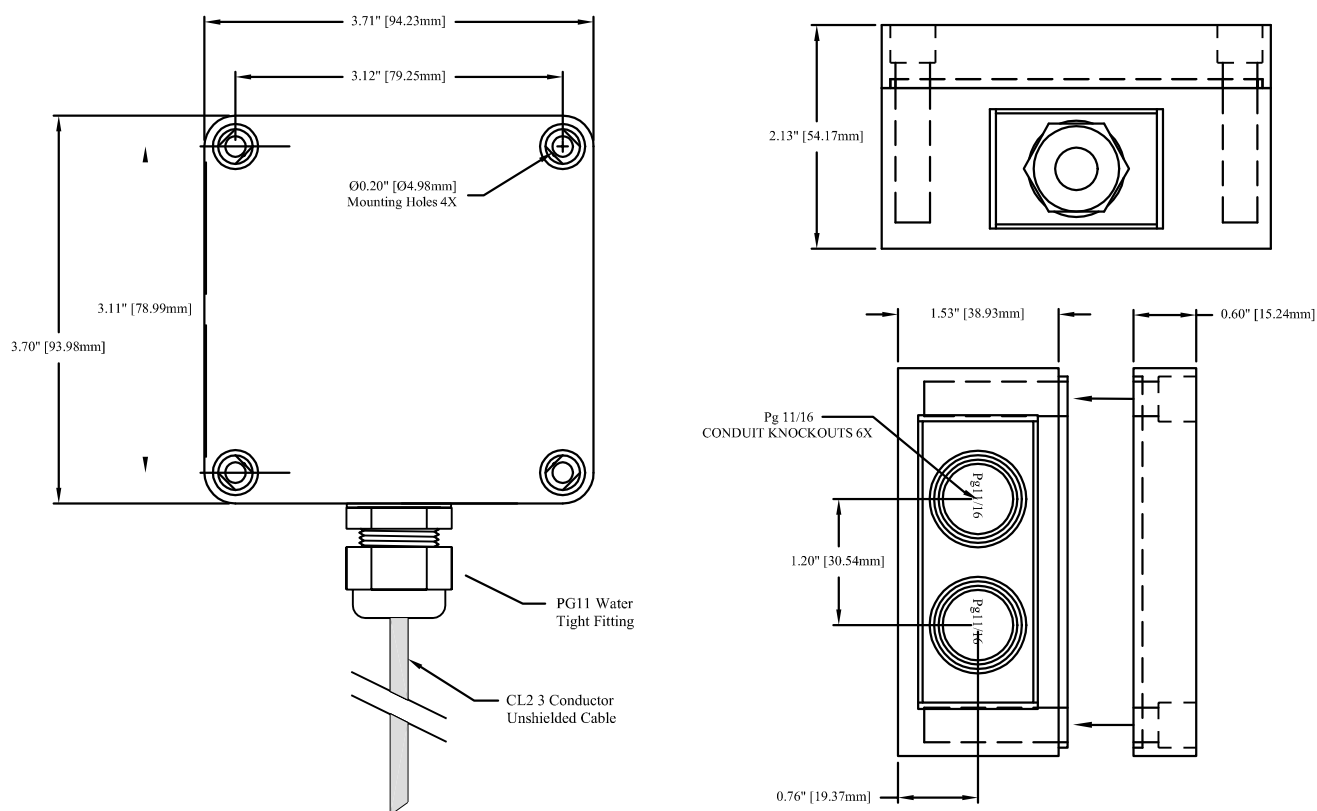


Dimensions



Two Gang NEMA 4X Enclosure:



Ordering Information

A/	Accuracy [] ↑ RH2 (+/- 2%) RH3 (+/- 3%)	Temperature Sensor -[] ↑ TT1K	Temperature Span -[] ↑ (Specify)	Configuration -[] ↑ RP (Remote Probe)	Cable Length -[] ↑ (3) 3 feet (6) 6 feet (20) 20 feet
----	--	--	---	--	--

A/3 PT NIST (3 point Calibration Certificate w/standard points chosen by ACI)

A/5 PT NIST (5 point Calibration Certificate w/standard points chosen by ACI)

Example: A/RH2-TT1K-(20 to 100)-RP-20

2305 Pleasant View Rd. Middleton Industrial Park Middleton, WI 53562

PH: (608) 831-2585 FAX: (608) 831-7407